

1.25mm Contact Spacing, Board to Wire Dip Connectors

EBW-PK23 SERIES

FEATURES

- Pin header finish Tin-Lead or Tin Plating.
- Apply PCB hole dimension 0.6 ± 0.03
- Please consult ECE for availability.

SPECIFICATIONS

1.ELECTRICAL

- Voltage rating: 200V
- Current rating: 1A
- Contact resistance: 20m Ω max.(initial)
- Insulation resistance: 100M Ω min.

2.MECHANICAL

- Durability: Mate & Unmate with applicability for 50 times, Contact resistance: 40m Ω max.
- Connector Mating Force: 0.5kgf*n (4.9N*n) max.
- Connector Unmating Force: 0.03kgf*n (0.294N*n) min.(exclude LOCK)

MATERIALS

1.MATERIAL

- Contacts: Copper Alloy
- Insulator Housing: High Temp. Thermoplastic

2.PLATING

Contact:

- Nickel In All Area
- Terminal entire: Tin-Lead over Nickel
Tin over Nickel (RoHS Compliance)

PACKING

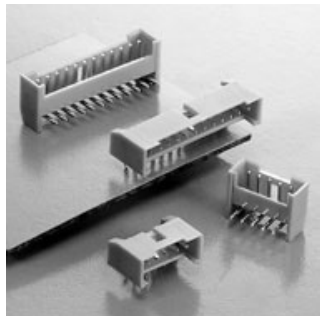
1.Packing method

1-1.All connector are packed in bulk method.

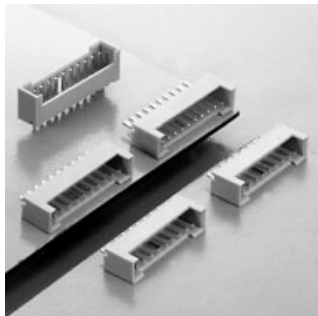
2.Information on label (stuck to each ploy bag, reel and box)

(1)Part NO. (2)Section. (3)Lot NO. (4)Quantity.
(5)QC stamp. (6)Reprocess NO. (7)ECE mark.

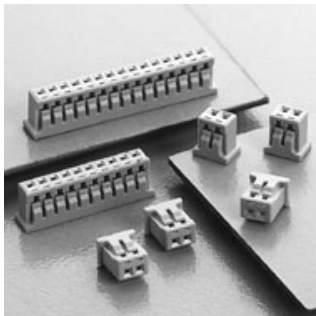
EBW-PK23-P***L*-3Z



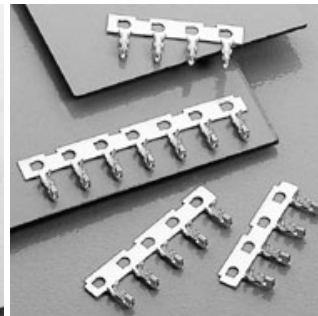
EBW-PK23-P***T*-3Z



EBW-PK23-S***C3

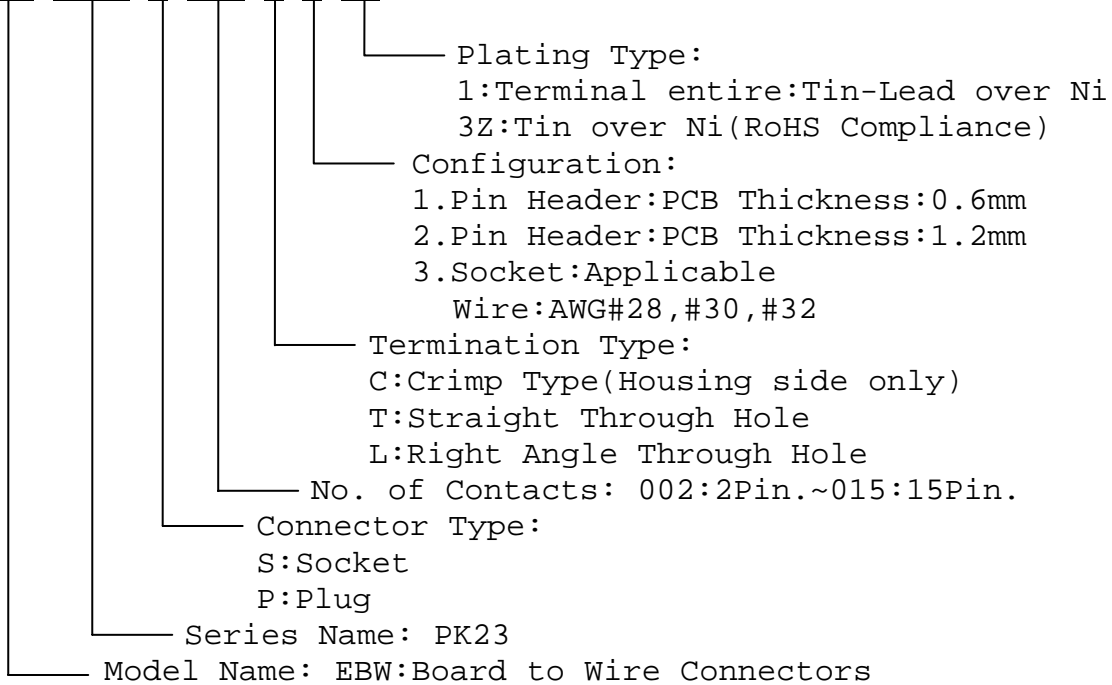


EBW-PK23-S1C3*15000



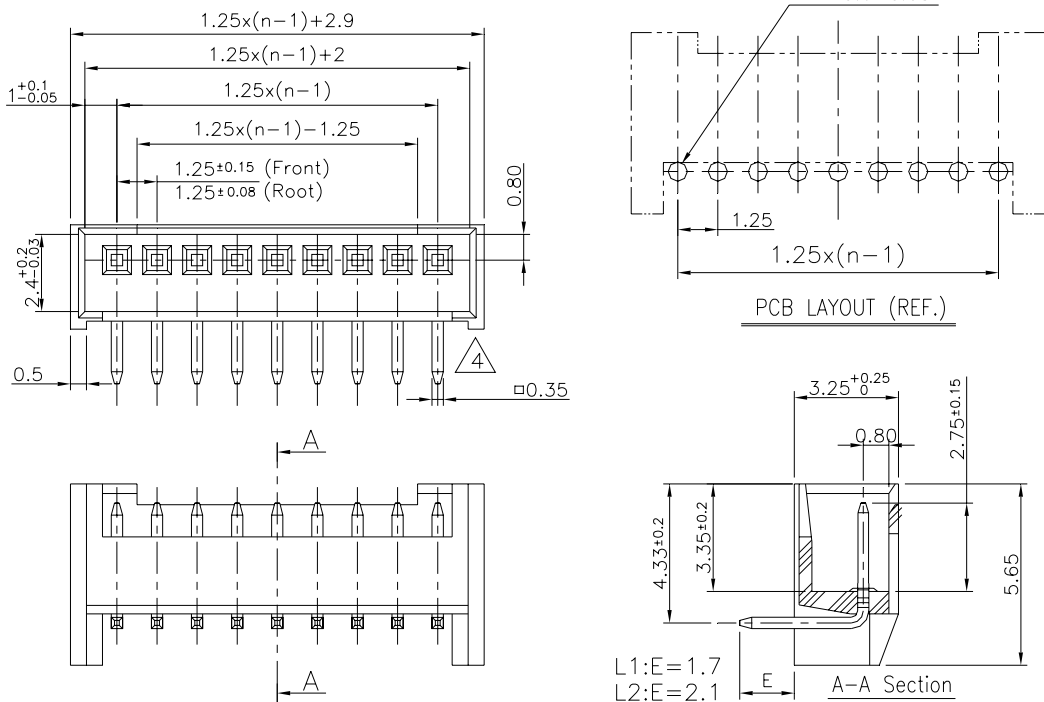
PART NUMBERING SYSTEM

EBW-PK23-P 002 T 2-3Z

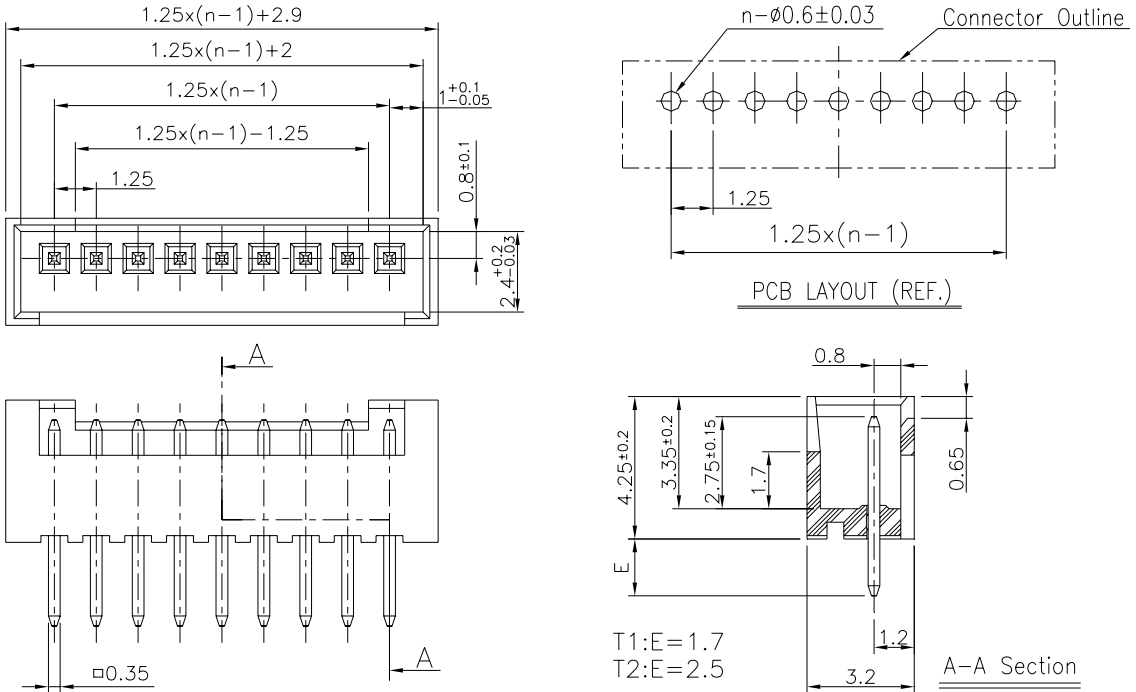


DRAWING

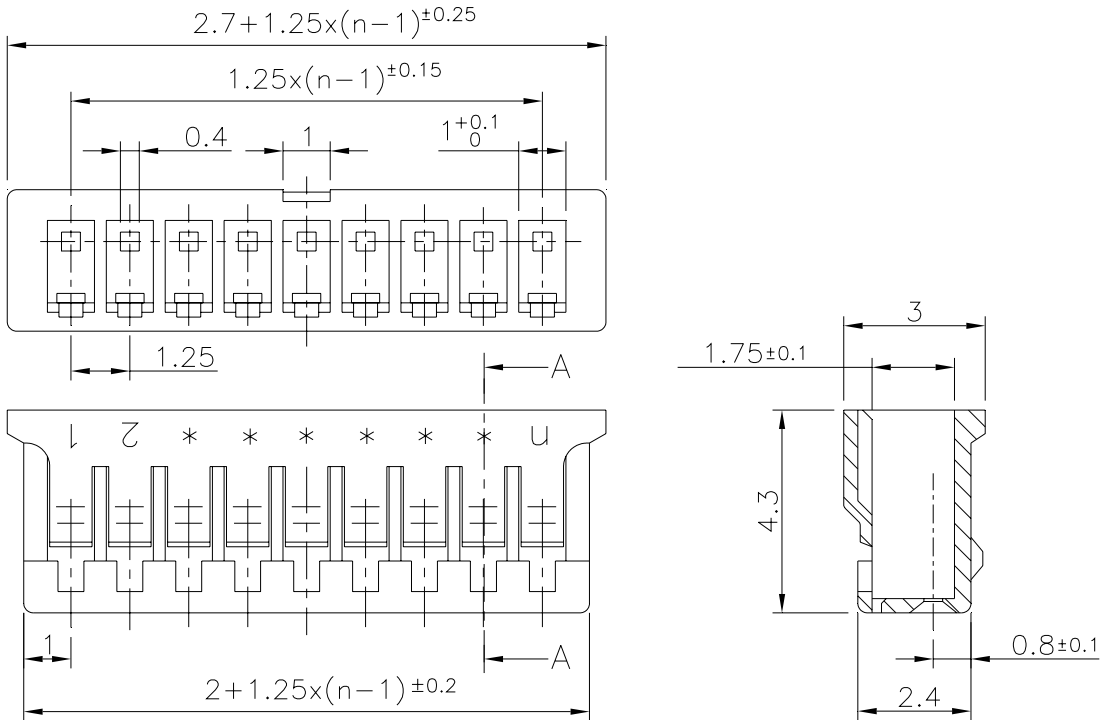
EBW-PK23-P***L*-3Z (RoHS Compliance) UNIT:mm
Connection Style: Right Angle Plug



EBW-PK23-P***T*-3Z(RoHS Compliance) UNIT:mm
Connection Style: Straight Plug



EBW-PK23-S***C3(RoHS Compliance) UNIT:mm
Connection Style : Housing



EBW-PK23-S1C3(RoHS Compliance) UNIT:mm
Connection Style : Contacts

