

1.25mm Contact Spacing, Board to Wire Connectors

EBW-PK28 SERIES

FEATURES

- 1.25mm contact spacing.
- No. of contacts: 2~15 pin.
- Connector height: 1.91mm
- Available in embossed type for automatic mounting.

SPECIFICATIONS

1.ELECTRICAL

- Voltage rating: 125VAC
- Current rating: 1.0A
- Contact resistance: 20mΩ max.(initial)
- Insulation resistance: 100MΩ min.

2.MECHANICAL

- Durability: Mate & Unmate with applicability for 50 times, Contact resistance: 20mΩ max. (initial), 40mΩ max. (final).
- Connector Mating Force: 0.5kgf*n (4.9N*n) max. (n: Pin)
- Connector Unmating Force: 0.05kgf*n (0.49N*n) min. (n: Pin)
- Terminal Retention Force: 0.3kgf (2.94N) min.

MATERIALS

1.MATERIAL

- Contacts: Copper Alloy
- Insulator Housing: High Temp. Thermoplastic
- Hold down: Copper Alloy

2.PLATING

Contact:

- Nickel In All Area
- Contact area: Au over Nickel
- Terminal entire: Tin-Lead over Nickel
Tin over Nickel (RoHS Compliance)

Hold Down:

- Nickel In All Area
- Hold down entire: Tin-Lead over Nickel
Tin over Nickel (RoHS Compliance)

PACKING

1.Packing method

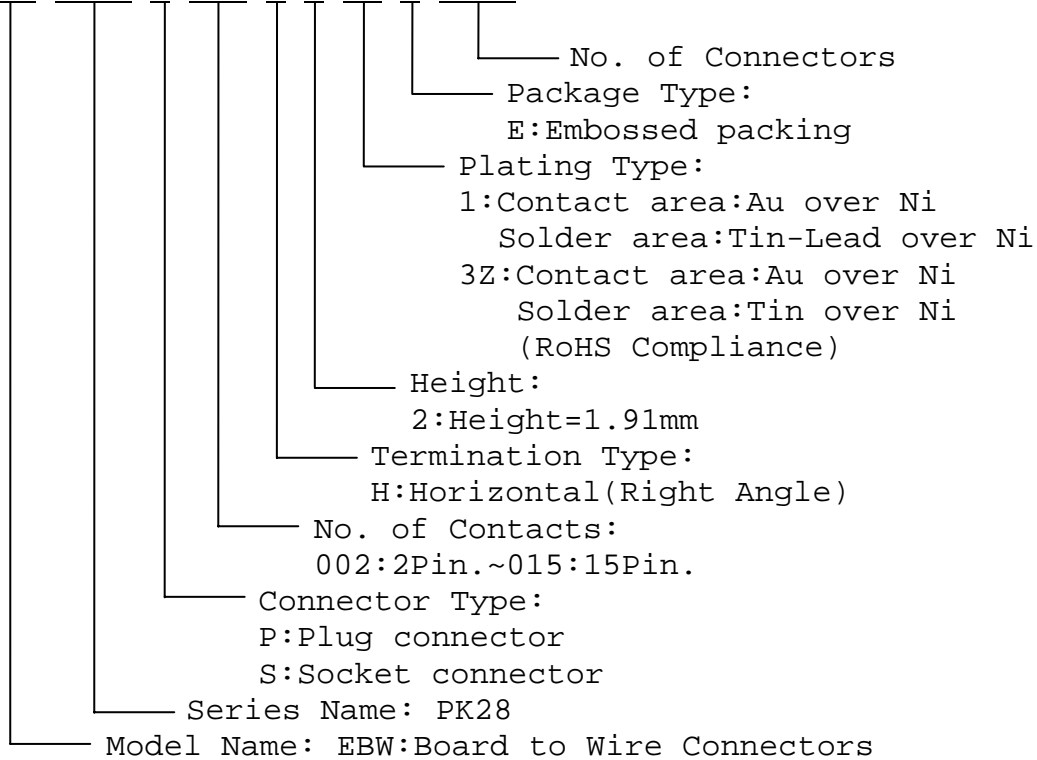
1-1.All connector are packed in reel method.

2.Information on label (stuck to each ploy bag, reel and box)

- | | | | |
|--------------|------------------|--------------|--------------|
| (1)Part NO. | (2)Section. | (3)Lot NO. | (4)Quantity. |
| (5)QC stamp. | (6)Reprocess NO. | (7)ECE mark. | |

PART NUMBERING SYSTEM

EBW-PK28-P 002 H 2-3Z-E 2200

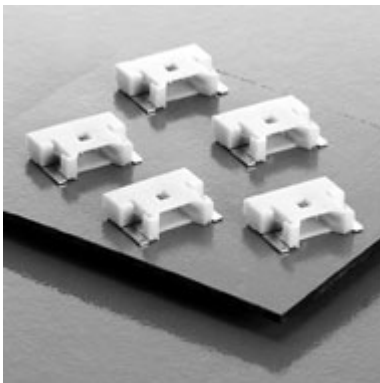


DRAWING

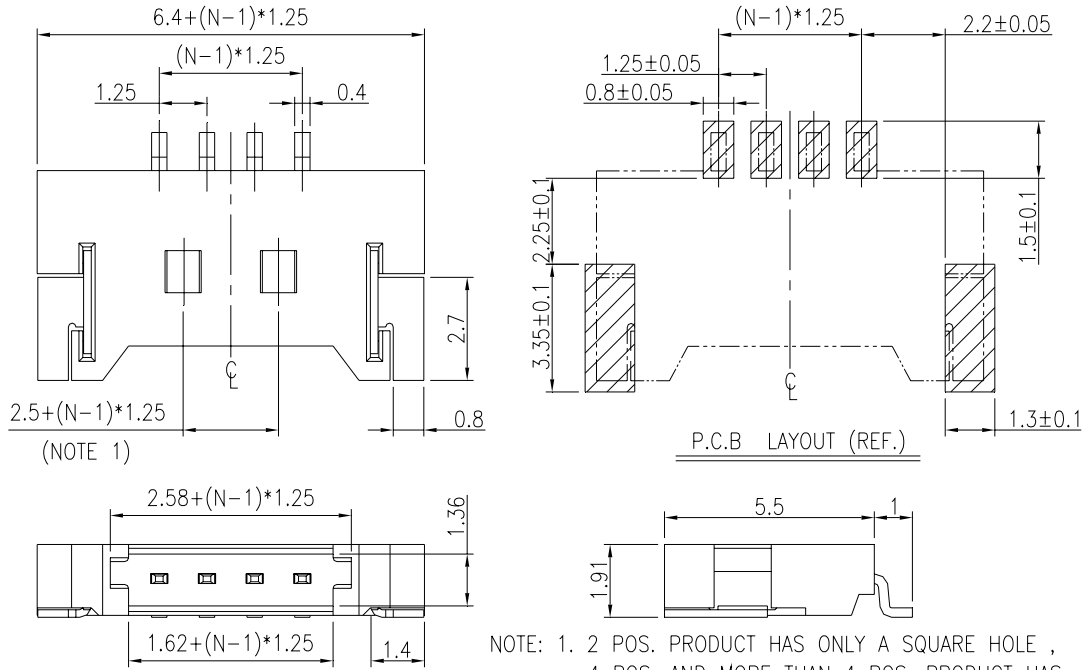
EBW-PK28-P***H2-3Z

EBW-PK23-S***C3

EBW-PK28-S1C3-R15000

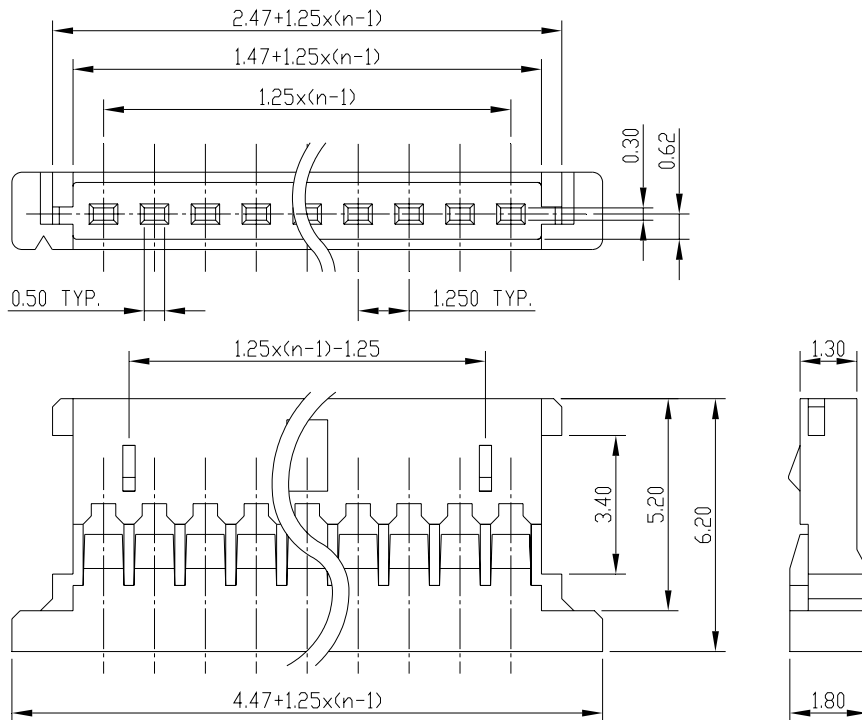


EBW-PK28-P***H2-3Z(RoHS Compliance) UNIT:mm
Connection Style:Right Angle SMT Type



NOTE: 1. 2 POS. PRODUCT HAS ONLY A SQUARE HOLE ,
4 POS. AND MORE THAN 4 POS. PRODUCT HAS
TWO SQUARE HOLES.

EBW-PK28-S***C3(RoHS Compliance) UNIT:mm
Connection Style : Socket Housing



EBW-PK28-S1C3-R15000(RoHS Compliance) UNIT:mm
Connection Style : Socket Housing

