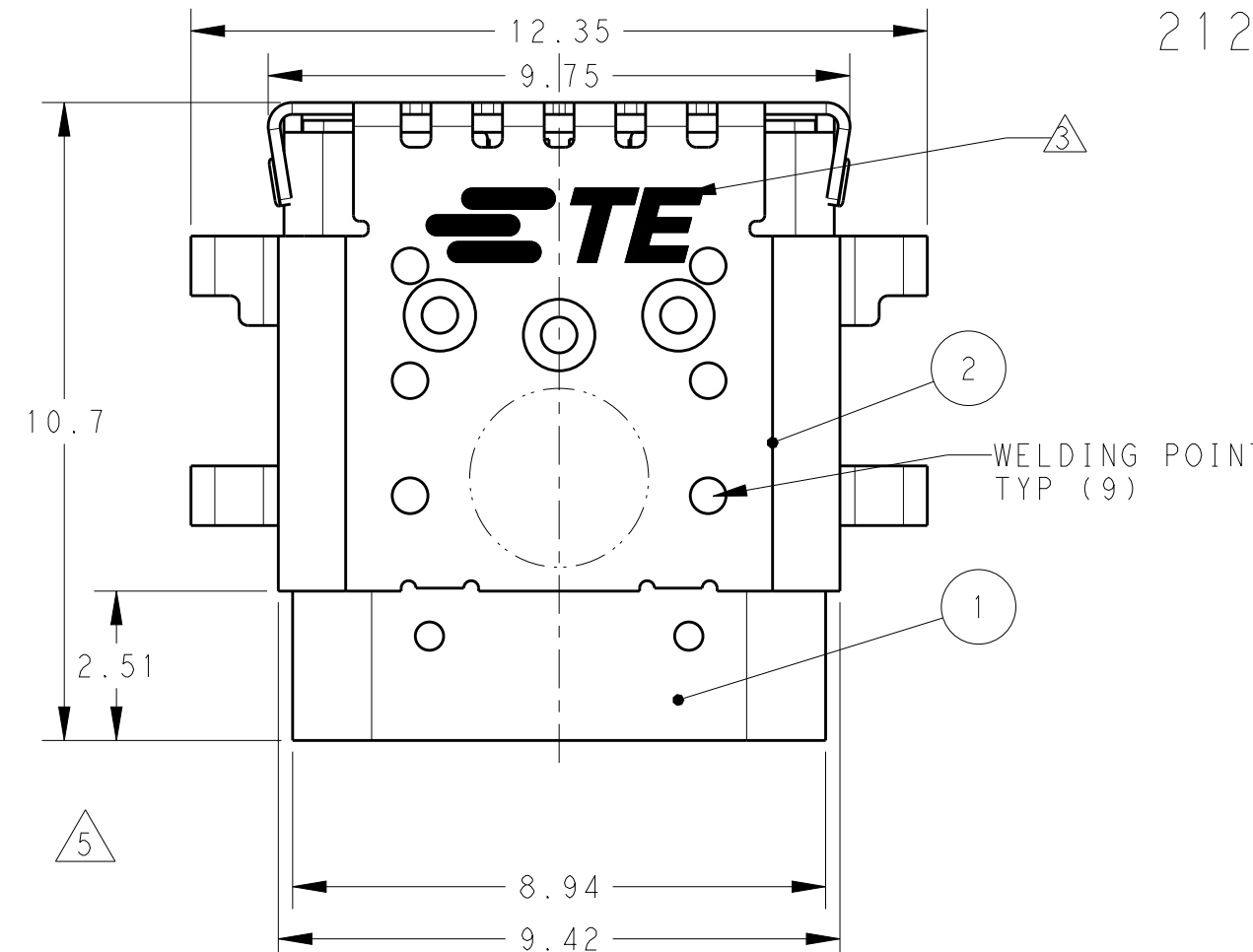


THIS DRAWING IS UNPUBLISHED. RELEASED FOR PUBLICATION 20  
 © COPYRIGHT 20 BY - ALL RIGHTS RESERVED.

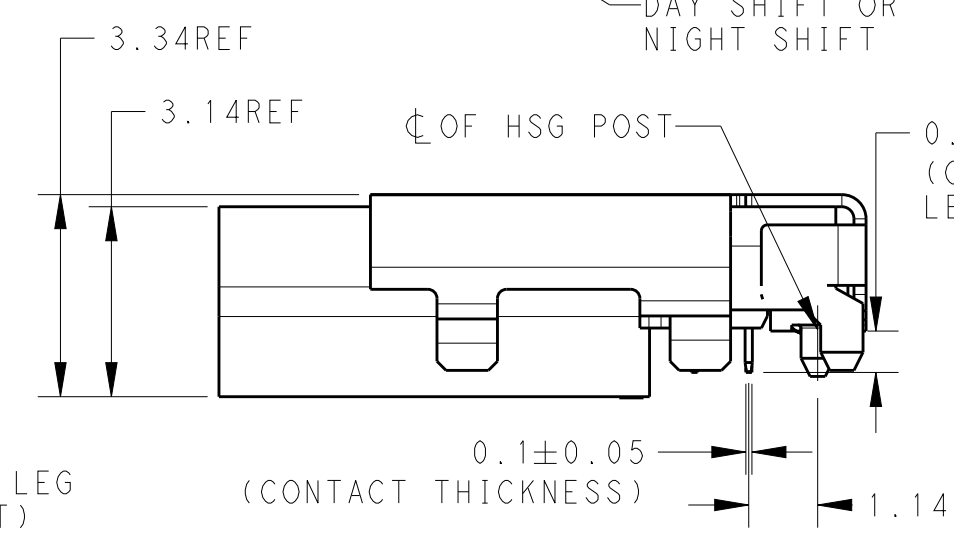
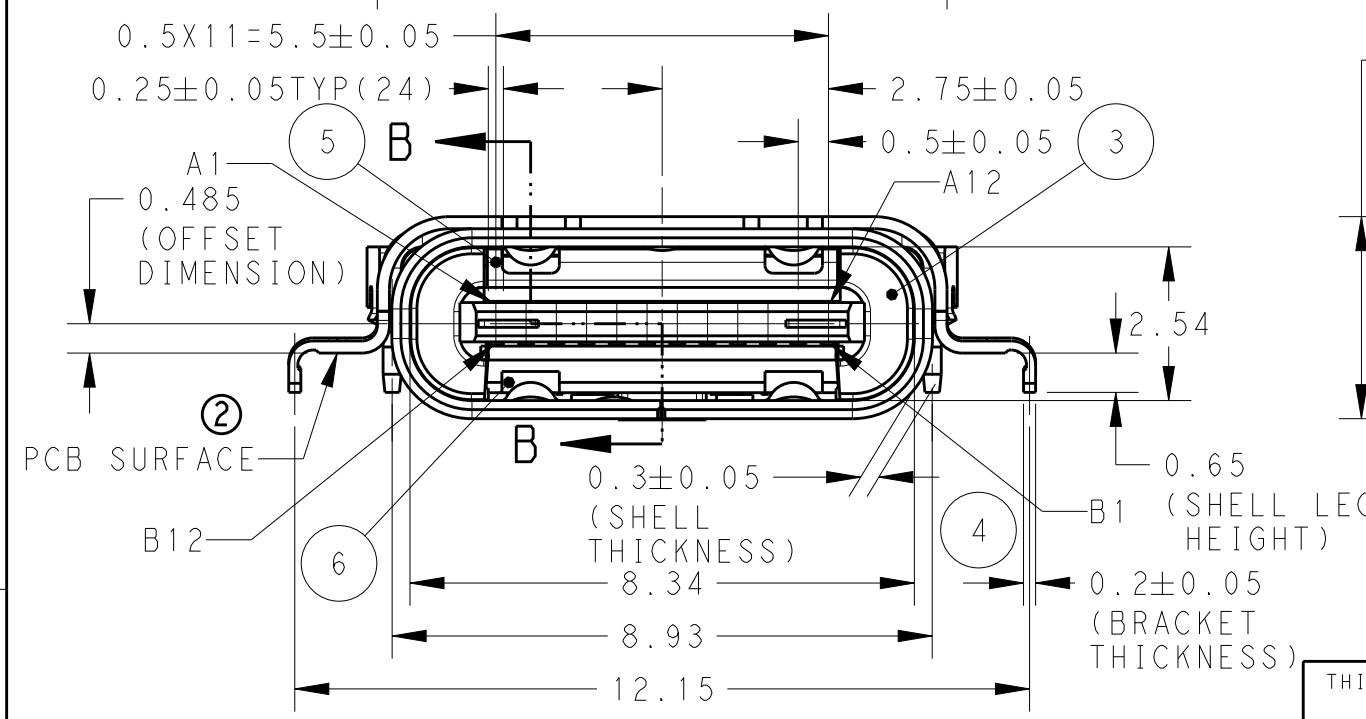
REVISIONS				
P	LTR	DESCRIPTION	DATE	APVD
	6	REVISED	10JUN2015	S.Zh J.L

2129691-1; AS SHOWN



- △ MATERIAL :
  - ① SHELL : STAINLESS STEEL
  - ② SHELL BRACKET : STAINLESS STEEL
  - ③ HOUSING : HIGH TEMPERATURE THERMO PLASTIC, BLACK, UL94V-0
  - ④ SECONDARY HIGH TEMPERATURE THERMO PLASTIC, BLACK, UL94V-0
  - ⑤ UPPER INNER SHELL : STAINLESS STEEL
  - ⑥ LOWER INNER SHELL : STAINLESS STEEL
  - ⑦ UPPER CONTACT : COPPER ALLOY
  - ⑧ LOWER CONTACT : COPPER ALLOY
  - ⑨ MID-PLATE : STAINLESS STEEL
- △ FINISH :
  - CONTACT : ALL OVER NI PLATING(2.0um)  
CONTACT AREA AU PLATING (0.75um)  
SOLDERTAIL AREA TIN PLATING(2.0um)
  - SHELL : ALL OVER NI PLATING (1.3um)
  - BRACKET : ALL OVER NI PLATING (1.3um)
- △ TE LOGO
- △ DATE CODE
- △ VACUUM AREA

ASSY LINE NO. A,B,C,\*\*\*  
 △ YYWWD\*\*  
 DAY SHIFT OR NIGHT SHIFT



Q'TY	NAME	ITEM
1	MID PLATE	⑨
12	LOWER CONTACT	⑧
12	UPPER CONTACT	⑦
1	LOWER INNER SHELL	⑥
1	UPPER INNER SHELL	⑤
1	SECONDARY HOUSING	④
1	HOUSING	③
1	SHELL BRACKET	②
1	SHELL	①

THIS DRAWING IS A CONTROLLED DOCUMENT.

DWN	G. SHIH	4NOV2014
CHK	M. CHAO	6NOV2014
APVD	M. CHAO	6NOV2014
PRODUCT SPEC	-	
APPLICATION SPEC	-	
WEIGHT	-	

**STE** TE Connectivity

NAME: TYPE-C RECEPTACLE ASSEMBLY OFFSET 0.485MM HYBRID TYPE

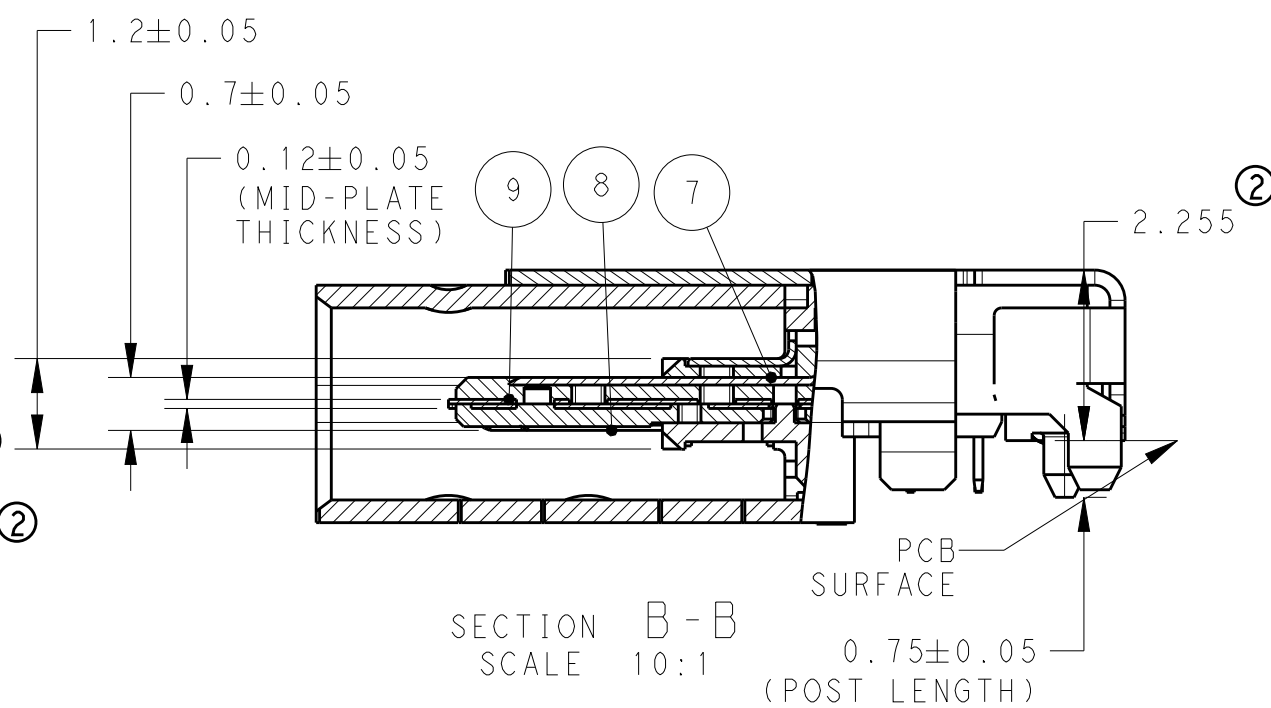
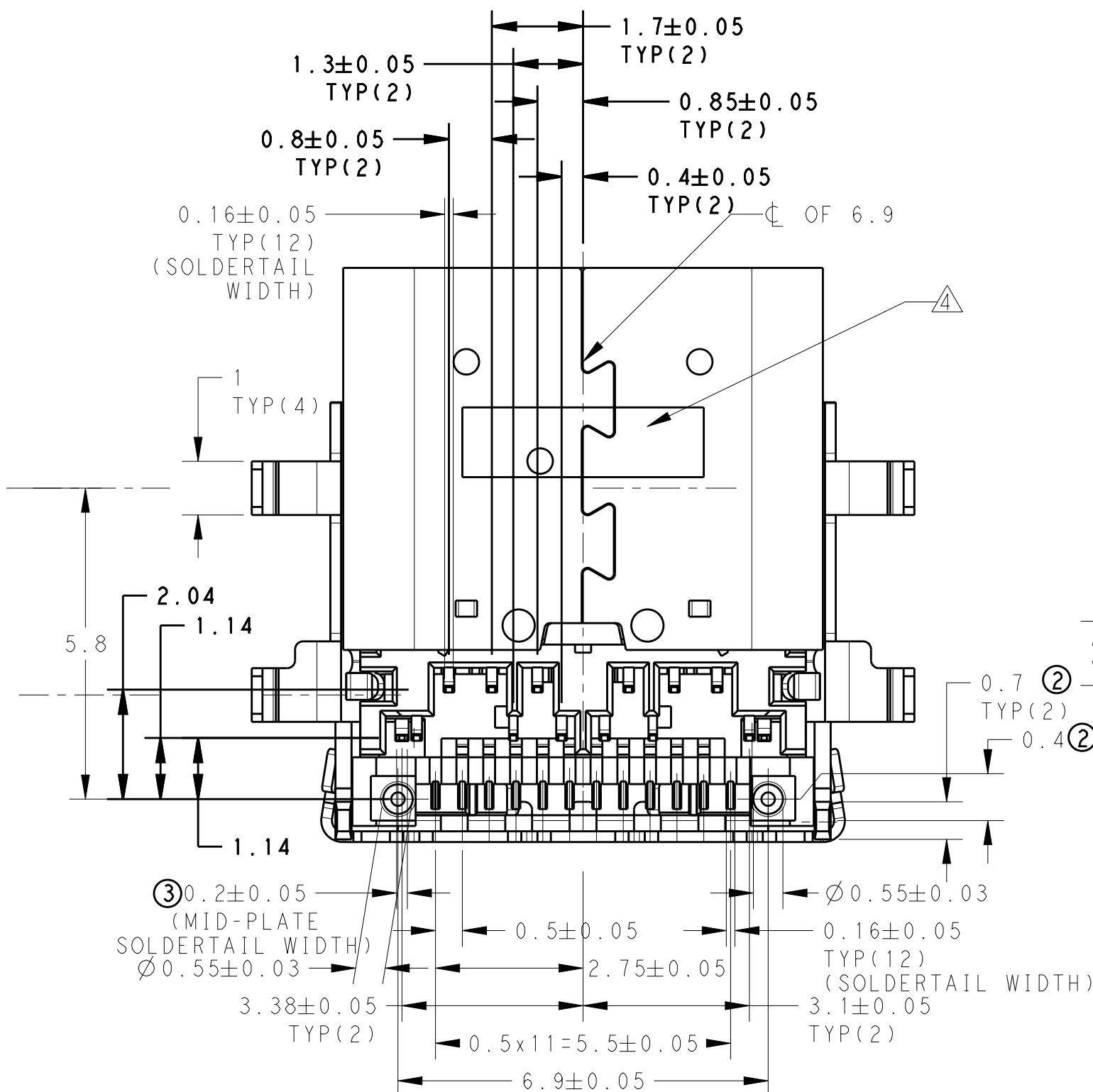
SIZE	CAGE CODE	DRAWING NO	RESTRICTED TO
A3	00779	C-2129691	-

CUSTOMER DRAWING SCALE 8/1 SHEET 1 OF 3 REV 6

REVISIONS

P	LTR	DESCRIPTION	DATE	DWN	APVD
-	-	SEE SHEET 1	-	-	-

2129691-1; AS SHOWN



SECTION B-B  
SCALE 10:1

VIEW M  
SCALE 10:1

THIS DRAWING IS A CONTROLLED DOCUMENT.		DWN -	<b>STE</b> TE Connectivity	
DIMENSIONS: mm		CHK -		
TOLERANCES UNLESS OTHERWISE SPECIFIED:		APVD -	NAME TYPE-C RECEPTACLE ASSEMBLY OFFSET 0.485MM HYBRID TYPE	
0 PLC ± ±0.25		PRODUCT SPEC -	SIZE CAGE CODE DRAWING NO RESTRICTED TO	
1 PLC ± ±3°		APPLICATION SPEC -	A300779 C-2129691	
2 PLC ± ±		WEIGHT -	SCALE 8/1 SHEET 2 OF 3 REV 6	
3 PLC ± ±		CUSTOMER DRAWING		
4 PLC ± ±				
ANGLES ± ±				
FINISH -				

