

# SPECIFICATION FOR APPROVAL

REF. :

PROD. NAME	Bead Coil	ABC'S DWG NO.	BD□□□□□□□□L□-□□□		
		REV.	20130613-C	PAGE	1

**I . Configuration and dimensions :**

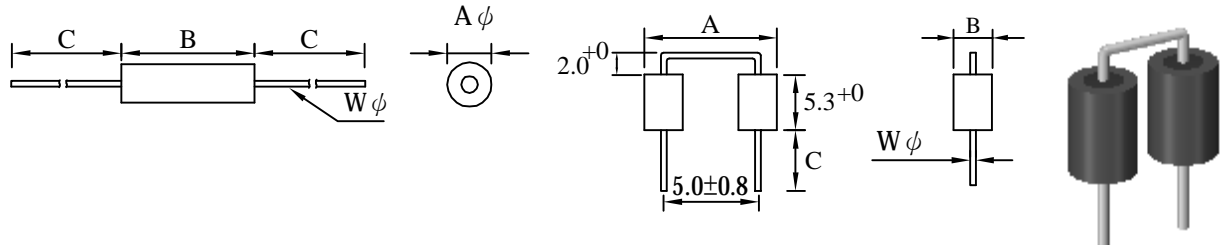


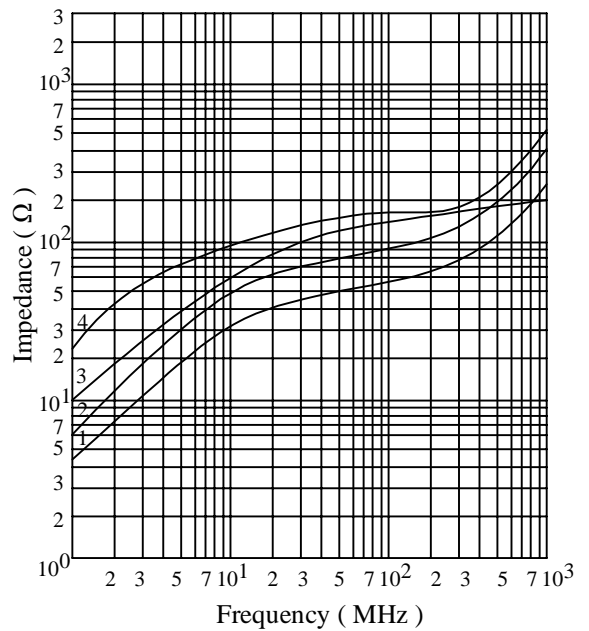
Fig : A

Fig : B

**II . Description :**

- a . Ferrite RH core construction.
- b . Tinned copper wire
- c . Product weight : 1.52 g ( ref.)
- d . Moisture sensitivity Level 1
- e . Products comply with RoHS' requirements
- f . Halogen free available

**V . Curve :**



**III . General specification :**

- a . Operating temp. : -25°C ---- +105°C
- b . Storage temp. : -40°C ---- +125°C

- 1. BD0305-450Y/ 100MHz
- 2. BD0306-600Y/ 100MHz
- 3. BD0309-800Y/ 100MHz
- 4. BD0907-111Y/ 100MHz

**IV . Electrical characteristics :**

ABC'S Part No.	Impedance min. ( Ω ) at 100MHz	Rate current max. ( A )	Dimension ( m/m ).				Fig.
			A m/m	B m/m	C m/m	Wφ m/m	
BD0305450YL□-□□□	45	3.0	3.5±0.2	4.7±0.3	29.0±3.0	0.65φ	A
BD0306600YL□-□□□	60	3.0	3.5±0.2	6.0±0.3	28.5±3.0	0.65φ	A
BD0309800YL□-□□□	80	3.0	3.5±0.2	9.0±0.3	27.0±3.0	0.65φ	A
BD0907111YL□-□□□	110	7.0	9.0 max.	3.8 max.	4.5±1.0	0.60φ	B

- 1). Electrical specifications at 25°C
- 2). Test equipment : RF impedance analyzer HP4291A.
- 3). Test fixture : Spring clip fixture HP16092A.

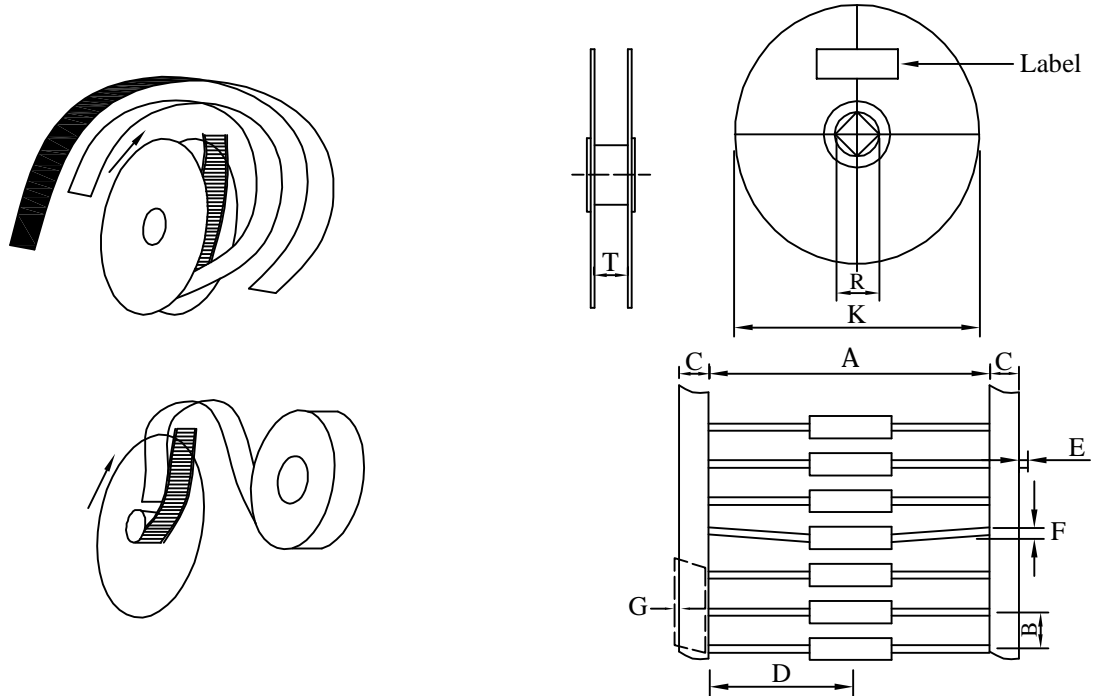
# SPECIFICATION FOR APPROVAL

REF. :

PROD. NAME	Bead Coil	ABC'S DWG NO.	BD□□□□□□□□L□-□□□		
		REV.	20130613-C	PAGE	2

## VI . Packaging information For BD Horizontal Taping In Reel :

### ( 1 ) Configuration



### ( 2 ) Dimensions

Unit:m/m

Item	Specification	Item	Specification
A	52.00±1.50	F	1.00 ( max )
B	5.00±0.50	G	1.00 ( max )
C	6.00±1.00	K	355.00±0.50
D	26.00±1.50	R	15.00±0.50
E	0.00±0.50	T	71.00±3.00

### ( 3 ) Q'TY & G.W. Per package

Code	Inner : Reel			Outer : Carton		
	Q'TY (pcs)	G.W. (gw)	Size ( m/m )	Q'TY (pcs)	G.W. (Kg)	Size (cm)
BD0305	5,000	2,300	364 x 365 x 89	20,000	10	37.5 x 37.0 x 37.5
BD0306	5,000	2,700	364 x 365 x 89	20,000	10	37.5 x 37.0 x 37.5
BD0309	5,000	3,700	364 x 365 x 89	20,000	16.2	37.5 x 37.0 x 37.5

AR-001C

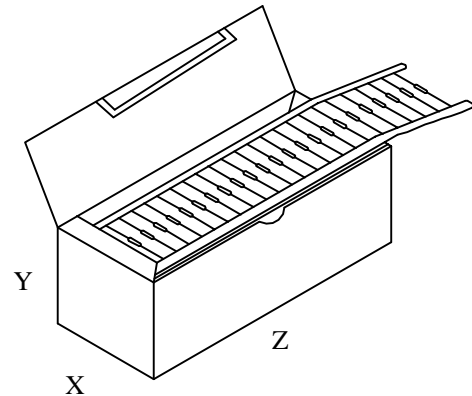
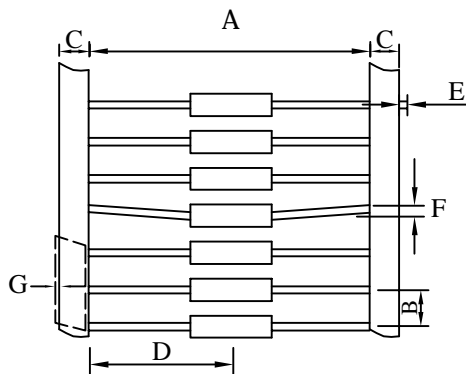
# SPECIFICATION FOR APPROVAL

REF. :

PROD. NAME	Bead Coil	ABC'S DWG NO.	BD□□□□□□□□L□-□□□		
		REV.	20130613-C	PAGE	3

## VII . Packaging information For BD Vertical Taping In Box :

### (1) Configuration



### (2) Dimensions

Unit:m/m

Style	Item	Specification	Item	Specification
T 26	A	26.00±1.50	B	5.00±0.50
	D	13.00±0.50	C	6.00±1.00
	X	50.00±1.50	E	0.00±0.50
T 52	A	52.00±1.50	F	1.00 ( max )
	D	26.00±1.50	G	1.00 ( max )
	X	76.00±1.50		

### (3) Q'TY & G.W. Per package

Code	Inner : Box			Outer : Carton		
	Q'TY (pcs)	G.W. (gw)	Size ( m/m )	Q'TY (pcs)	G.W. (Kg)	Size (cm)
BD0305	1,000	350	295 x 75 x 58	35,000	15.0	37.5 x 37.0 x 37.5
				12,000	8.5	
BD0306	1,000	450	295 x 75 x 58	24,000	15.5	37.6 x 26.6 x 34.5
				18,000	12.0	37.6 x 26.6 x 34.5
BD0309	1,000	650	295 x 75 x 58	16,000	10.5	37.6 x 26.6 x 34.5
				24,000	16.5	37.6 x 26.6 x 34.5

AR-001C

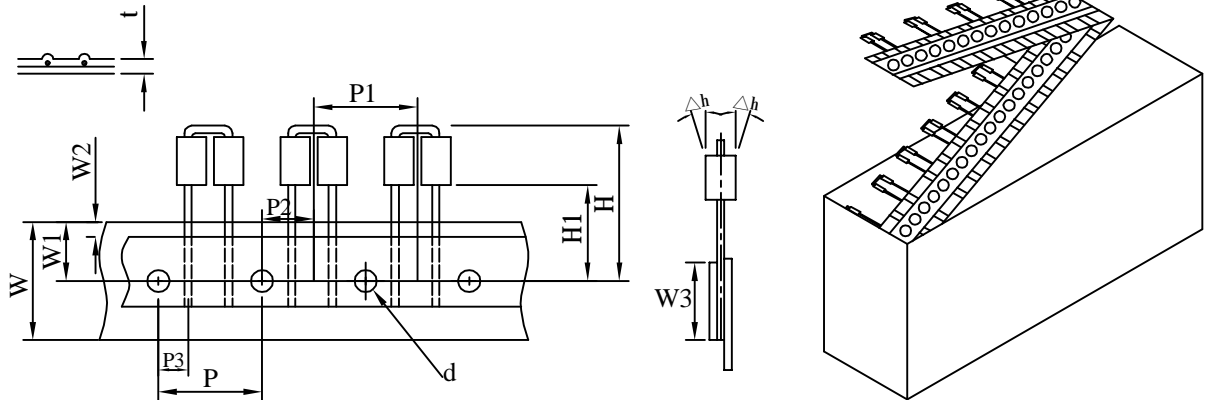
# SPECIFICATION FOR APPROVAL

REF. :

PROD. NAME	Bead Coil	ABC'S DWG NO.	BD□□□□□□□□L□-□□□		
		REV.	20130613-C	PAGE	4

## VIII . Packaging information For BD Vertical Taping In Box :

### (1) Configuration



### (2) Dimension

Unit:m/m

Item	Specification	Item	Specification
P	12.7 ±0.30	W3	11.0 max.
P1	12.7 ±1.00	H	27.0 max.
P2	6.35±1.00	H1	18.5±1.00
P3	3.85±0.70	△ h	0.0±2.00
W	18.0±0.50	t	0.7±0.20
W1	9.0±0.50	d	4.0±0.20
W2	2.0 max.		

### (3) Q'TY & G.W. Per package

Code	Inner : Box			Outer : Carton		
	Q'TY (pcs)	G.W. (gw)	Size ( m/m )	Q'TY (pcs)	G.W. (Kg)	Size (cm)
BD0907	2,000	1,100	332 x 273 x 40	10,000	9.00	37.5 x 37.0 x 37.5

AR-001C

# SPECIFICATION FOR APPROVAL

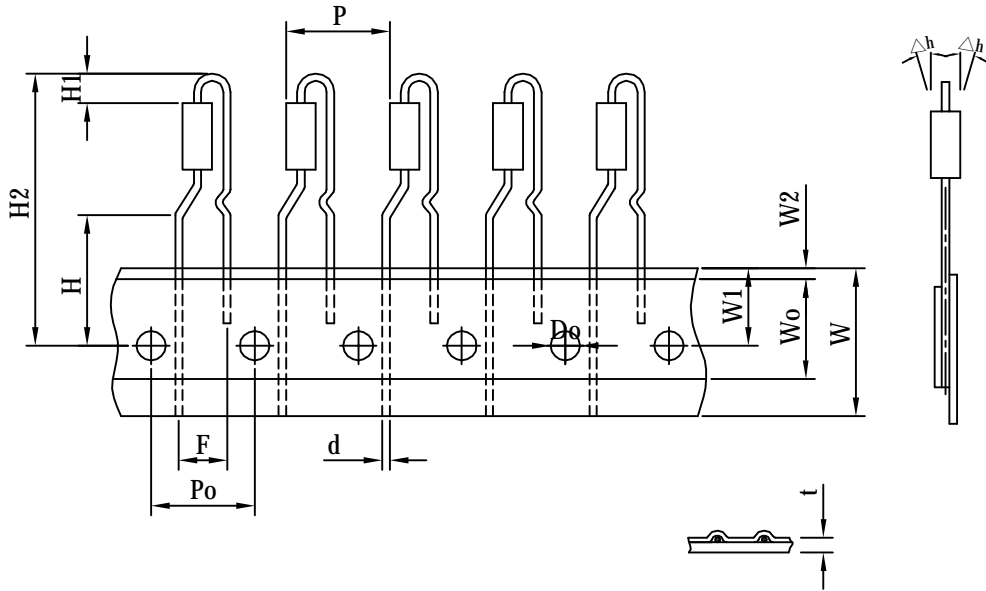
REF. :

PROD. NAME	Bead Coil	ABC'S DWG NO.	BD□□□□□□□□L□-□□□		
		REV.	20130613-C	PAGE	5

**VIII . Packaging information For BD Vertical Taping In Box :**

( Packaging Code : F )

(1) Configuration



(2) Dimension

Unit:m/m

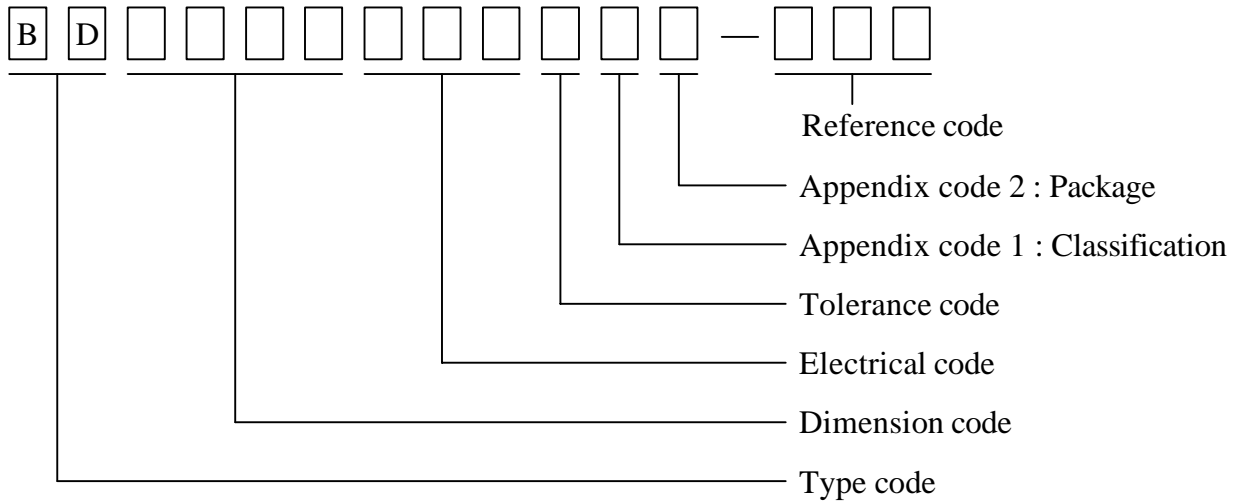
Item	Specification	Item	Specification
P	12.70 ±1.00	H1	3.00 max.
Po	12.70 ±0.30	W	18.00 <sup>+0</sup> / <sub>-0.5</sub>
d	φ0.65 or ψ0.5	Wo	12.50 min.
F	5.00±0.80	W1	9.00±0.80
Do	φ4.00±0.30	W2	1.00 max.
H	16.00±1.00	t	0.70±0.30
Δh	0.00±1.00	H2	32.60 max.

# SPECIFICATION FOR APPROVAL

REF. :

PROD. NAME	Bead Coil	ABC'S DWG NO.	BD□□□□□□□□L□-□□□		
		REV.	20130613-C	PAGE	6

IX . Dwging number expression :



Appendix code 1 : Product Classification

L : Lead Free Standard products comply with RoHS' requirements

Appendix code 2 : Package Information

Code	Inner package	Inner package Q'TY	Remark
A	Bag	200 pcs	BD0304
		200 pcs	BD0305
		200 pcs	BD0306
		200 pcs	BD0309
		200 pcs	BD0907
B	T / B ( T52 Box package )	1000 pcs	BD0305
		1000 pcs	BD0306
	T / B ( Box ammo package )	1000 pcs	BD0309
C	T / R ( T52 Reel package )	2000 pcs	BD0907
		5000 pcs	BD0304
		5000 pcs	BD0305
		5000 pcs	BD0306
		5000 pcs	BD0309
		T.B.D.	BD0907

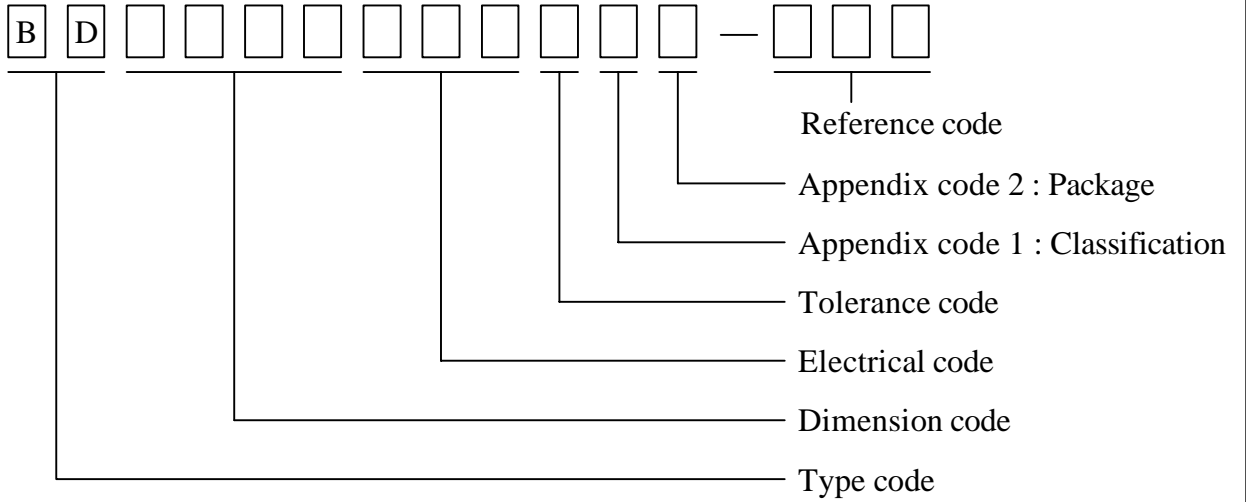
AR-001C

# SPECIFICATION FOR APPROVAL

REF. :

PROD. NAME	Bead Coil	ABC'S DWG NO.	BD□□□□□□□□L□-□□□		
		REV.	20130613-C	PAGE	7

IX . Dwging number expression :



Appendix code 1 : Product Classification

L : Lead Free Standard products comply with RoHS' requirements

Appendix code 2 : Package Information

Code	Inner package	Inner package Q'TY	Remark
D	T / B ( T26 Box package )	1000 pcs	BD0305
		1000 pcs	BD0306
		1000 pcs	BD0309
E	T / R ( T26 Reel package )	5000 pcs	BD0305
		4000 pcs	BD0306
		5000 pcs	BD0309
F	T / B ( Radial Fm )	2000 pcs	BD0305
		2000 pcs	BD0306