

MICRO SWITCH EJM SERIES

FEATURES

- Small compact size suitable for personal computer mouse use
- 2-piece spring mechanism design offering durable acute operation and nice touch feeling
- Heavy/Light operation force specifications
- High flux-tight structure
- High solder reliability



APPLICATIONS

- Communication equipment
- Security systems
- Office automation appliances
- General industrial machines

SPECIFICATIONS

Ratings	6 VDC, 1mA(R)
Circuit arrangement	SPST(1a), snap action
Pitch between terminals	5.08mm

ELECTRICAL PERFORMANCE

Insulation resistance	100M Min. at 500VDC
Dielectric strength	600VAC Min. for 60sec
Initial contact resistance	100m Max.

MECHANICAL PERFORMANCE

Operating Force	0.74N (75gf) Max.
Release Force	0.10N (10gf) Min.
Pre-travel	0.3±0.2mm
Operating Position	6.9±0.3mm
Free Position	7.35mm Max.

DURABILITY

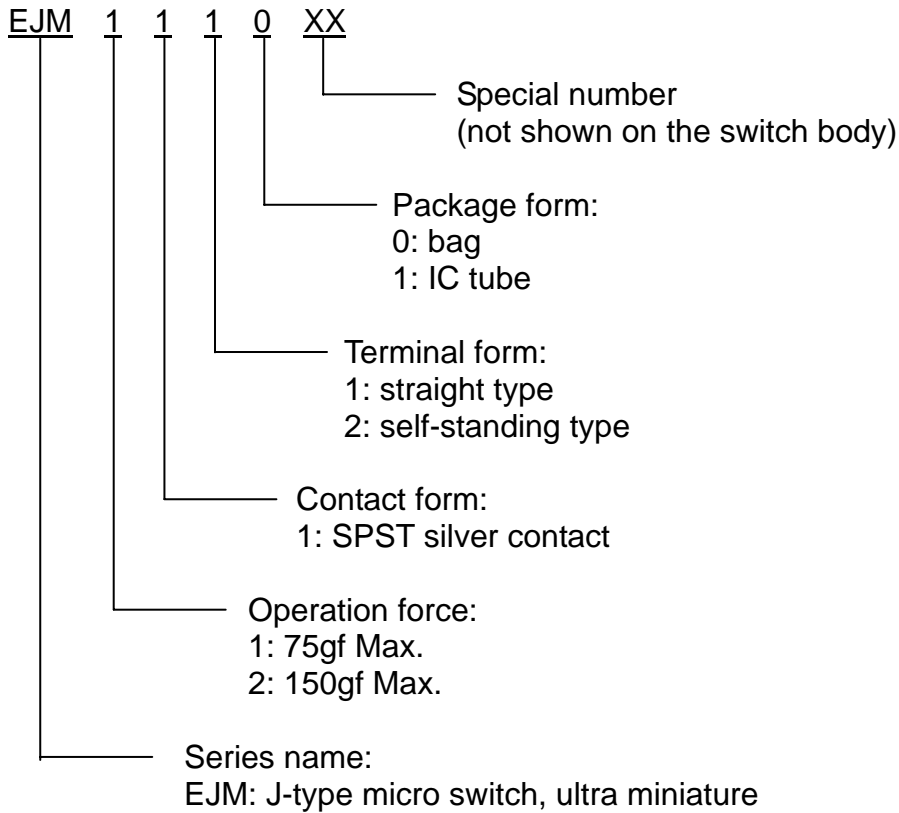
Operating life with load	5 million cycles
--------------------------	------------------

ENVIRONMENTAL

Operating temperature	-25 ~ +65 (85%RH Max. without dew condensation)
Storage temperature	-25 ~ +65 (85%RH Max. without dew condensation)

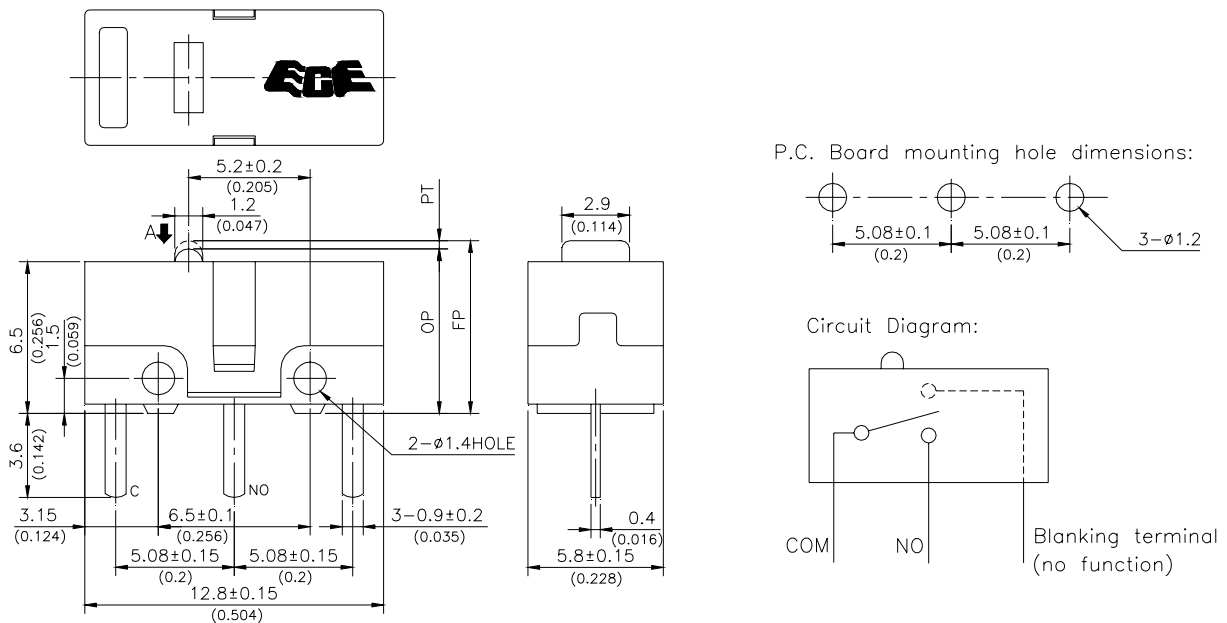
*Designs and specifications are subject to change for improvement without prior notice.

PART NUMBERING SYSTEM



EJM SERIES

DIMENSIONS UNIT: mm(inch)



* Designs and specifications are subject to change for improvement without prior notice.