

EPI & EPM SERIES



DIMENSIONS

EPI(R)-V

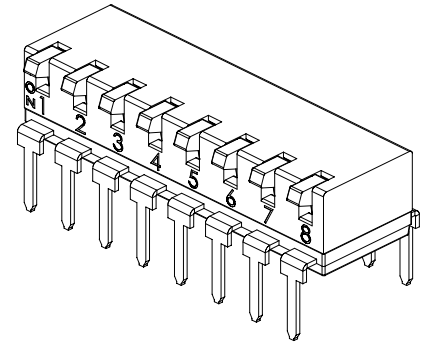
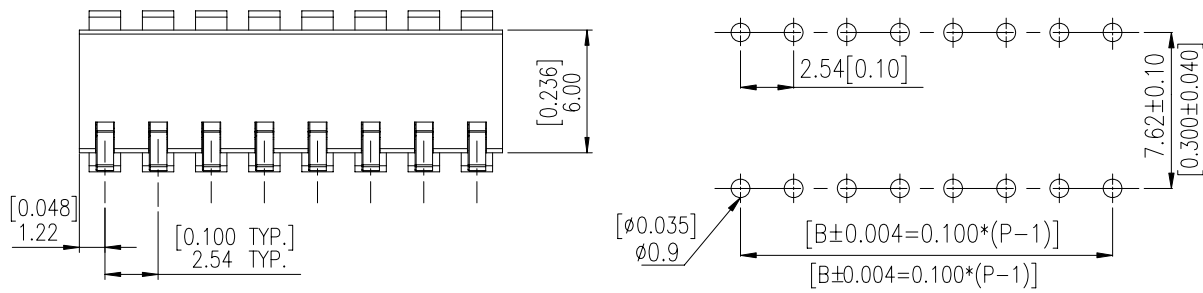
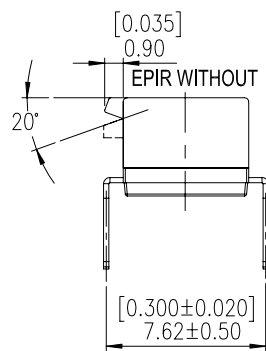
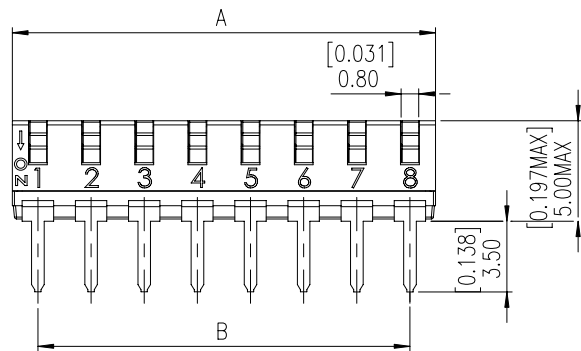
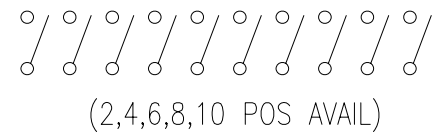


Table 1

EPI(R)-10-V	10	25.30[.996]	22.86[.900]
EPI(R)-08-V	8	20.22[.796]	17.78[.700]
EPI(R)-06-V	6	15.14[.596]	12.70[.500]
EPI(R)-04-V	4	10.06[.396]	7.62[.300]
EPI(R)-02-V	2	4.98[.196]	2.54[.100]
PROD. NO.	NO. OF POS.	DIM. A	DIM. B



SCHEMATIC(TYP.)



General Tolerance : ±0.2mm

EPM(R)-V

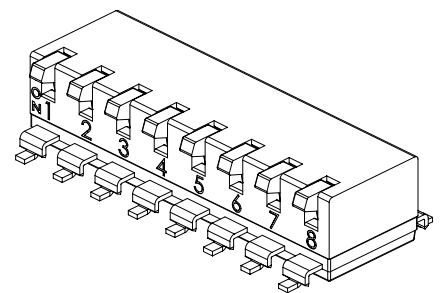
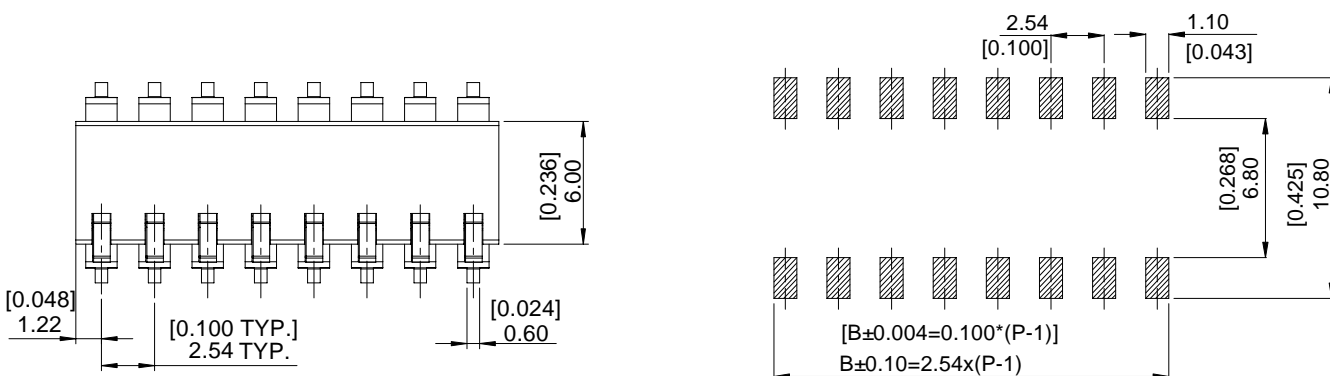
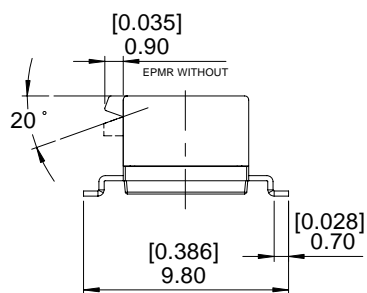
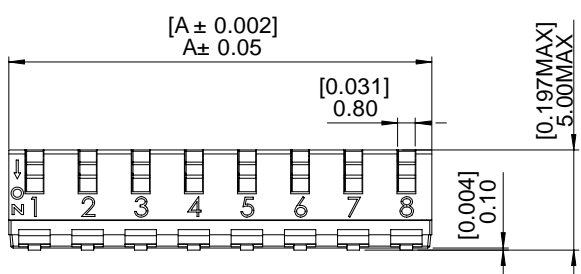
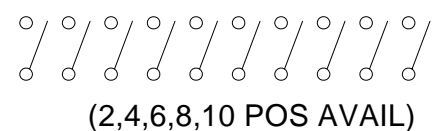


Table 1

EPM(R)-10-V	10	25.30[.996]	22.86[.900]
EPM(R)-08-V	8	20.22[.796]	17.78[.700]
EPM(R)-06-V	6	15.14[.596]	12.70[.500]
EPM(R)-04-V	4	10.06[.400]	7.62[.300]
EPM(R)-02-V	2	4.98[.196]	2.54[.100]
PROD. NO.	NO. OF POS.	DIM. A	DIM. B



SCHEMATIC(TYP.)



General Tolerance : ±0.2mm

HOW TO ORDER

EP □ □ - □ □ □ - V - □

Package Style:

- =Tube
- △T/R=Tape & Reel
- <△Only S.M.T>

Soldering:

V=Lead Free Solderable

F=Push Down OFF

□=Push Down ON

Number Of Positions:

02,04,06,08,10 Positions.

Actuator Type:

□=Long Actuator

R=Short Actuator

Terminal Type:

I=Through Hole Type

M=SMT Type

End-Stackable Piano Type Dip Switch

SPECIFICATION

△MECHANICAL

Operation Force: 800gf max.

Operation Temperature Range: -20°C to +85°C.

Storage Temperature Range: -40°C to +85°C.

Mechanical Life: 2,000 cycles.

△ELECTRICAL

Electrical Life: 2,000 cycles.

Rating: 25mA,24VDC

Contact Resistance: 100mΩ max, at 500 VDC.

Insulation Resistance: 100MΩ max, at 500 VDC.

Dielectric Strength: 500VAC / 1 minute.

Circuit: Single pole single throw.

MATERIAL

△COVER: UL94V-0 Nylon High-Temp Thermoplastic.

Color: Black

△BASE: UL94V-0 Nylon High-Temp Thermoplastic.

Color: Black

△STEM: UL94V-0 Nylon High-Temp Thermoplastic.

Color: White

△CONTACT: Alloy Copper with gold cladding.

△TERMINAL : Brass with gold cladding.

SOLDERING PROCESS

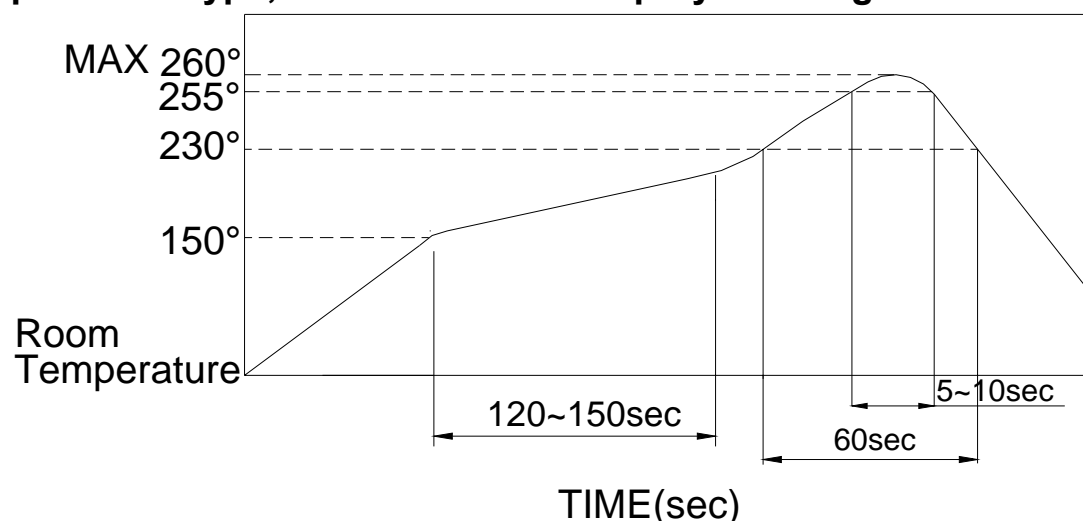
△WAVE SOLDERING: Recommended solder temperature at 500°F(260°C) max. of 5 seconds for through hole type.

△HAND SOLDERING: Use a soldering iron of 30 watts, controlled at 350°C approximately max 5 seconds while applying.

△REFLOW SOLDERING: When applying reflow soldering, the peak temperature or the reflow Oven should be set at 260°C max.

△Do not wash the switch except top tape sealed type, which suitable for spray cleaning method from top of the s/w.

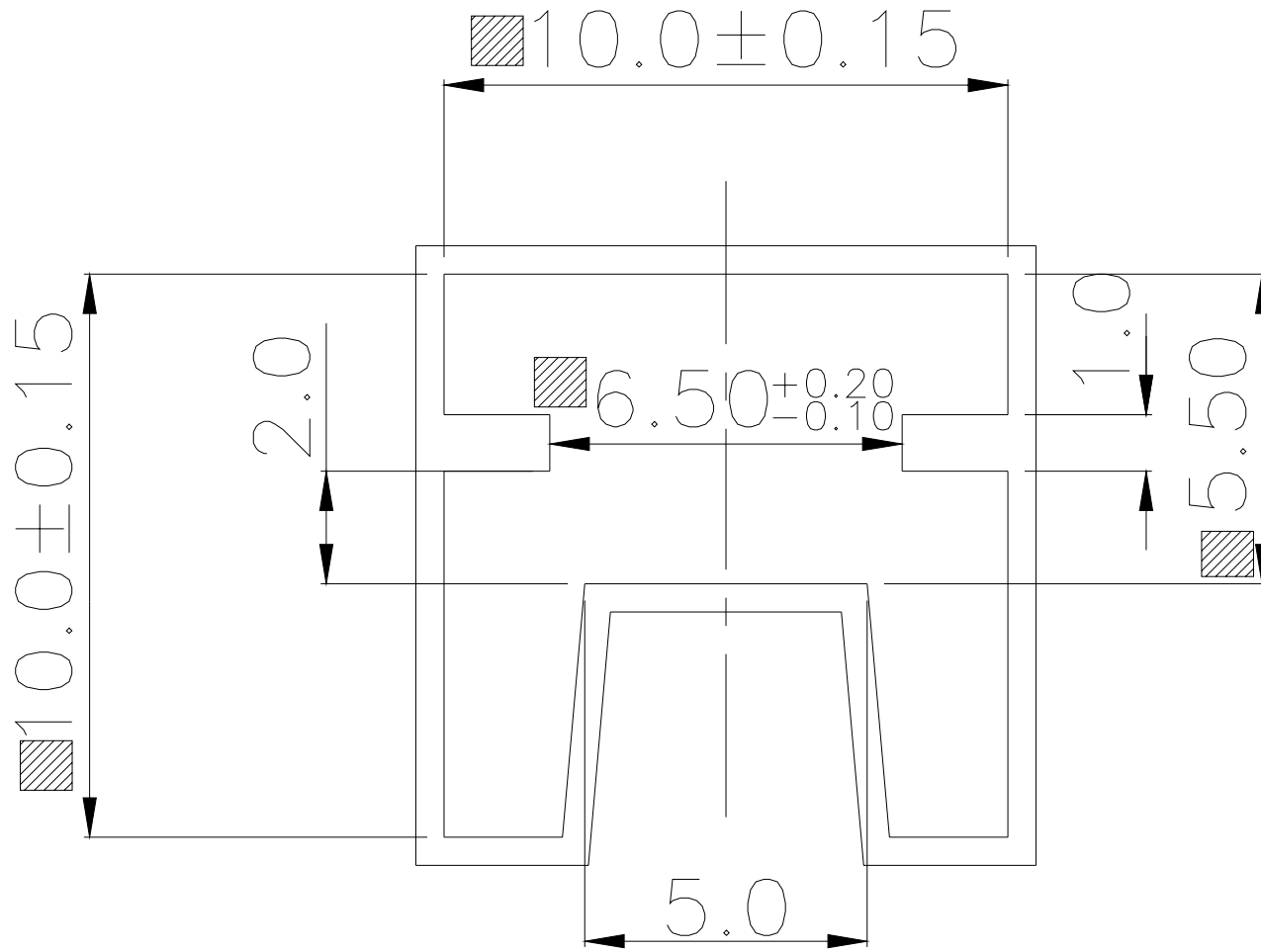
△Reflow Temperature Profile:



PACKING

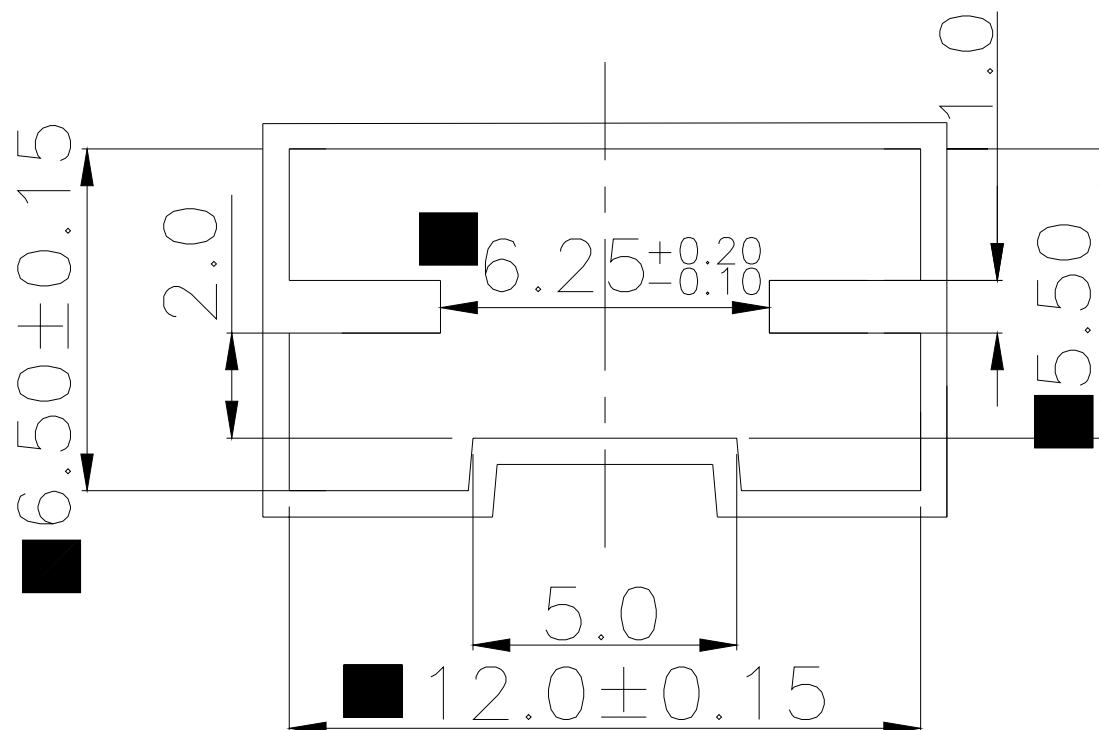
Part Number	Number Per TUBE	Number Per Reel
EPI(R) 、 EPM(R)-02	95	-
EPI(R) 、 EPM(R)-04	47	-
EPI(R) 、 EPM(R)-06	31	-
EPI(R) 、 EPM(R)-08	23	-
EPI(R) 、 EPM(R)-10	18	-
EPM(R)-02.04 06.08 10		700

EPI TUBE



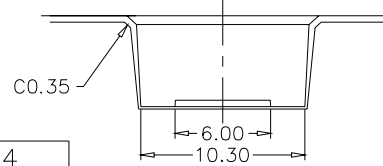
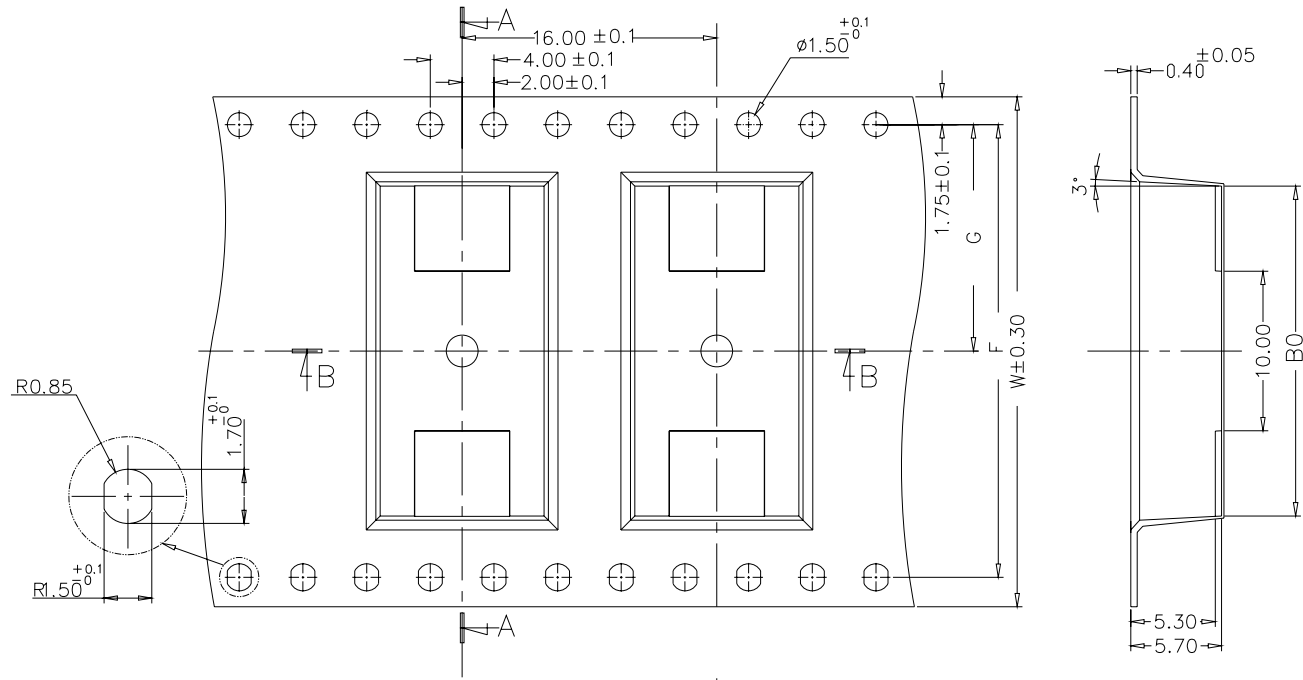
General Tolerance : ± 0.2 mm

EPM TUBE



General Tolerance : ± 0.2 mm

EPM REEL



A-A Section

B-B Section

6262A0000	EPM(R)-10	40.40	20.20	25.70	44
626280000	EPM(R)-08	28.40	14.20	20.70	32
626260000	EPM(R)-06		11.50	15.60	24
626240000	EPM(R)-04			10.50	
626220000	EPM(R)-02			7.50	
PART NO:	PART NAME:	F	G	B0	W±0.3

General Tolerance : ±0.1mm