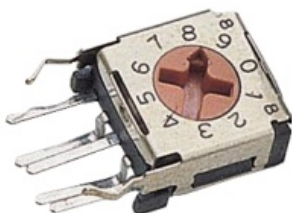


**ERD6 SERIES
SMALL SIZE 7x7 ROTARY TYPE**



ERD6xxxS



ERD6xxxR



ERD6xxxM



ERD6xxxJ

FEATURES

- Flat type with outer dimensions 7.2mm square; 4.0mm high on board for through hole type and 3.6mm high on board for surface mounting type.
- Top size 7.2x3.5mm², 8mm high on board for side adjust type.
- Positions (10,16) and switch code can be identified by color rotor.
- Gold plated contact area ensures reliable electric continuity for micro current.

SPECIFICATIONS

1.ELECTRICAL

● Contact rating	
Max. switching load	100mA, 5VDC
Min. switching load	10 μ A, 5VDC
● Contact resistance	200m Ω Max.
● Insulation resistance	100M Ω Min., 100VDC
● Dielectric strength	250VAC(rms), 60sec.

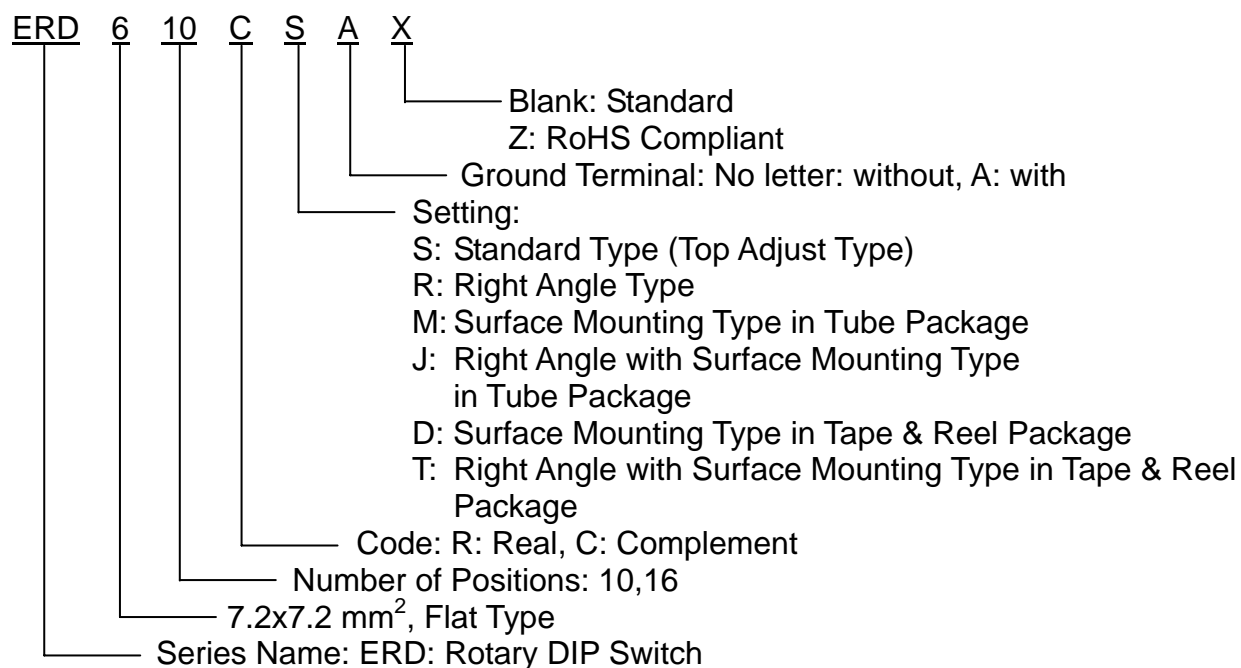
2.MECHANICAL and ENVIRONMENTAL

● Temperature rating	
operation	-25°C ~+70°C
storage	-25°C ~+85°C
● Operation force	510gf-cm Max.(Rotational torque)
● Durability	10000 detents Min.

INTRODUCTION to ECE ROTARY DIP SWITCH

SIZE	POSITIONS	CODE	PIN OUT	ROTOR	TYPE	PART NUMBER
7x7	10,16	REAL, COMPLEMENT	3:3	FLAT	STANDARD	ERD6xxxSxx
			3:2		RIGHT ANGLE	ERD6xxxRxx
			3:3		SMT	ERD6xxxMxx
			5:0		RIGHT ANGLE WITH SMT	ERD6xxxJxx
			3:3		SMT IN T&R	ERD6xxxDxx
			5:0		RIGHT ANGLE WITH SMT IN T&R	ERD6xxxTxx

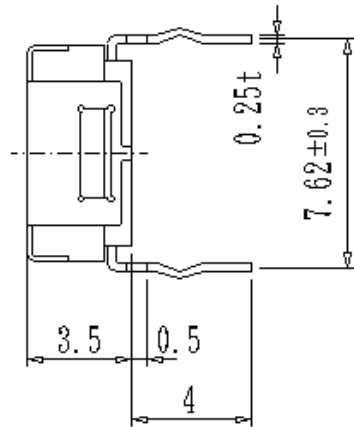
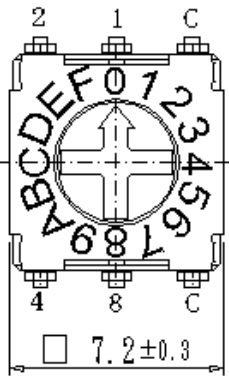
PART NUMBERING SYSTEM



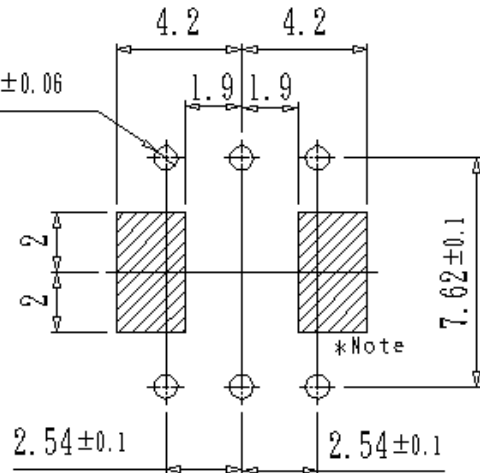
■ DIMENSIONS AND CIRCUITRY UNIT:mm

ERD 6 x x x S

P. C. B. LAYOUT



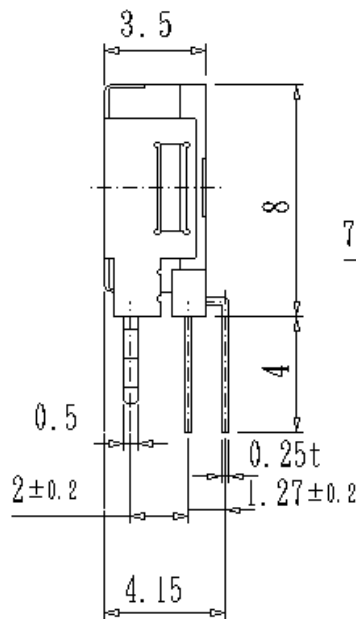
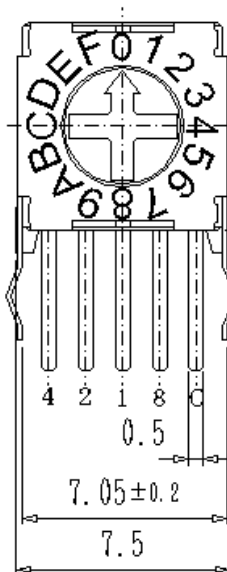
7- $\varnothing 0.8 \pm 0.06$



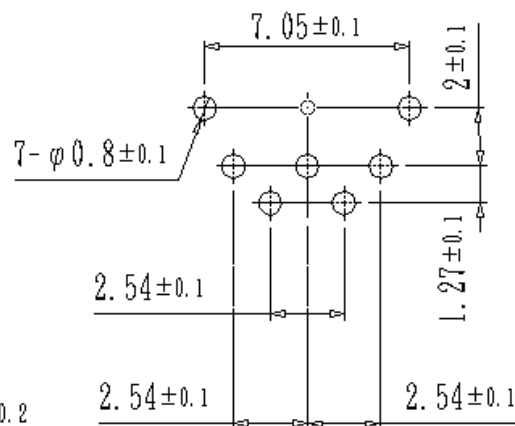
Note: The hatched portion should not receive conductive pattern.

ERD 6 x x x R

P. C. B. LAYOUT

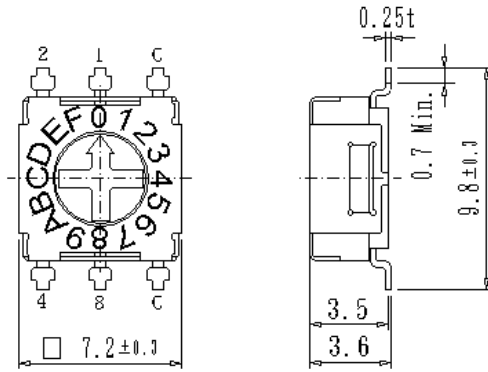


7- $\varnothing 0.8 \pm 0.1$

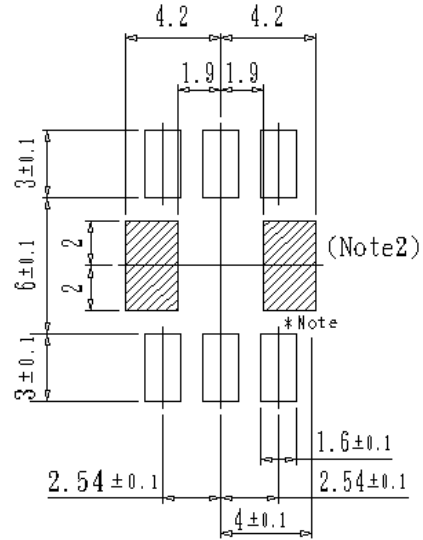




ERD 6 x x x M

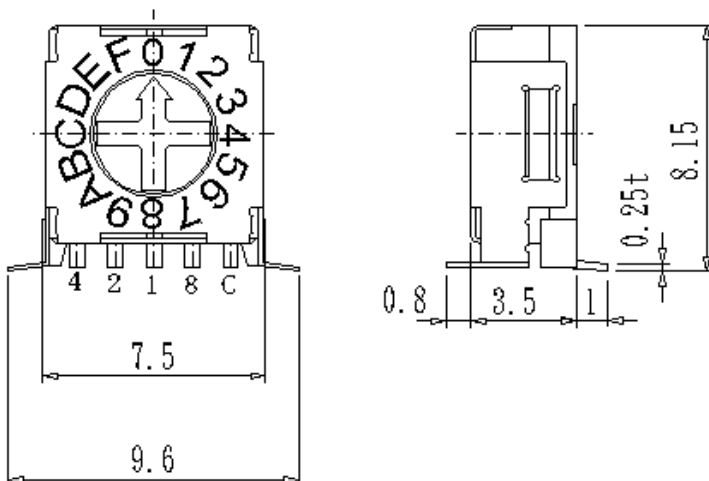


P. C. B. LAYOUT



Note: The hatched portion should not receive conductive pattern.

ERD 6 x x x J



P. C. B. LAYOUT

