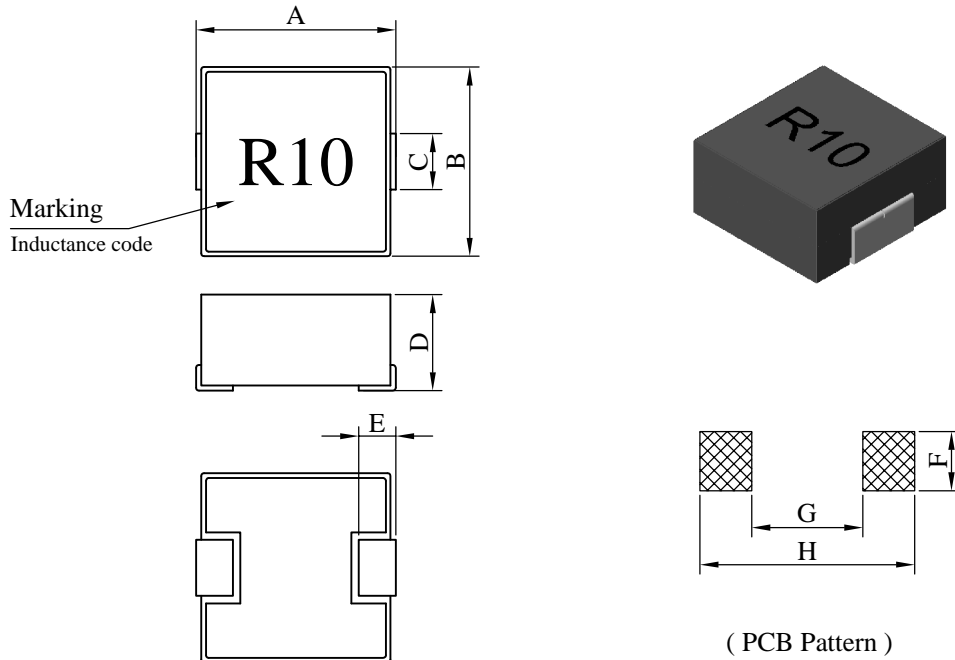


# SPECIFICATION FOR APPROVAL

REF. :

PROD. NAME	Shielded SMD Power Inductor	ABC'S DWG NO.		HE1265□□□□S□-□□□	
		REV.	20171115-A	PAGE	1

**I . Configuration and dimensions :**



( PCB Pattern )

Unit : m/m

A	B	C	D	E	F	G	H
13.50 ±0.50	12.80 ±0.30	3.50 ±0.50	6.50 max.	2.50 ±0.50	4.00 ref.	7.50 ref.	14.50 ref.

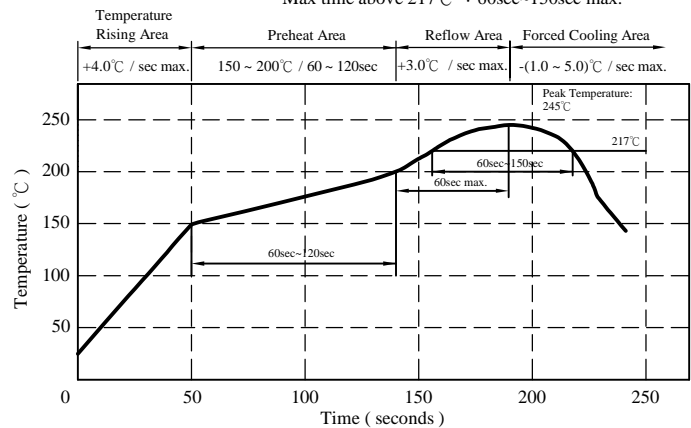
**II . Description :**

- a . Powder molding construction
- b . Magnetically shielded
- c . Enamelled copper wire : N class
- d . Product weight : 6.00g ( ref. )
- e . Moisture sensitivity Level 2a
- f . Products comply with RoHS' requirements
- g . Halogen free

**III . General specification :**

- a . Storage temp. : -55°C ~ +125°C
- b . Operating temp. : -55°C ~ +125°C  
( Temp. rise included )
- c . Resistance to solder heat : 245°C . 10 secs.

Peak Temp : 245°C max.  
Max. Peak Temp - 5°C : 30sec max.  
Max time above 217°C : 60sec~150sec max.



# SPECIFICATION FOR APPROVAL

REF. :

PROD. NAME	Shielded SMD Power Inductor	ABC'S DWG NO.	HE1265□□□□S□-□□□		
		REV.	20171115-A	PAGE	2

IV . Electrical characteristics :

DWG. No.	Inductance ( uH )	RDC ( mΩ )		Isat ( A ) typ.	Irms ( A ) typ.
		typ.	max.		
HE1265R10MS□-□□□	0.10 ±20%	0.47	0.50	80.0	60.0
HE1265R15MS□-□□□	0.15 ±20%	0.53	0.60	80.0	55.0
HE1265R22MS□-□□□	0.22 ±20%	0.63	0.70	80.0	53.0
HE1265R30MS□-□□□	0.30 ±20%	0.70	0.80	72.0	48.0
HE1265R33MS□-□□□	0.33 ±20%	0.83	0.90	65.0	46.0
HE1265R40MS□-□□□	0.40 ±20%	0.90	1.00	64.0	44.0
HE1265R47MS□-□□□	0.47 ±20%	1.00	1.20	63.0	41.0
HE1265R56MS□-□□□	0.56 ±20%	1.20	1.40	62.0	37.0
HE1265R68MS□-□□□	0.68 ±20%	1.40	1.60	60.0	35.0
HE1265R82MS□-□□□	0.82 ±20%	1.60	1.90	50.0	33.0
HE12651R0MS□-□□□	1.00 ±20%	1.70	2.00	49.0	32.0
HE12651R2MS□-□□□	1.20 ±20%	2.10	2.50	48.0	30.0
HE12651R5MS□-□□□	1.50 ±20%	2.50	3.00	45.0	27.0
HE12651R8MS□-□□□	1.80 ±20%	2.80	3.20	41.0	24.0
HE12652R2MS□-□□□	2.20 ±20%	3.50	4.20	40.0	22.0
HE12653R3MS□-□□□	3.30 ±20%	5.70	6.80	30.0	18.0
HE12654R2MS□-□□□	4.20 ±20%	5.80	7.20	26.0	15.0
HE12654R7MS□-□□□	4.70 ±20%	9.30	11.20	26.0	13.5
HE12655R6MS□-□□□	5.60 ±20%	11.80	12.80	23.0	12.0
HE12656R8MS□-□□□	6.80 ±20%	13.10	14.00	16.5	11.5
HE12658R2MS□-□□□	8.20 ±20%	14.50	15.50	16.0	10.5
HE1265100MS□-□□□	10.00 ±20%	15.80	16.80	15.0	10.0
HE1265120MS□-□□□	12.00 ±20%	23.00	26.00	14.0	9.0
HE1265150MS□-□□□	15.00 ±20%	25.00	29.00	9.0	6.0
HE1265220MS□-□□□	22.00 ±20%	34.00	39.50	7.5	5.0

- 1). Electrical specifications at 25°C
- 2). Inductance Test Condition. :500kHz / 0.25V
- 3). Isat base on  $\Delta L / L0A=30\%$  typ.(Approximately transient current)
- 4). Irms base on Temp. rise 40°C typ.

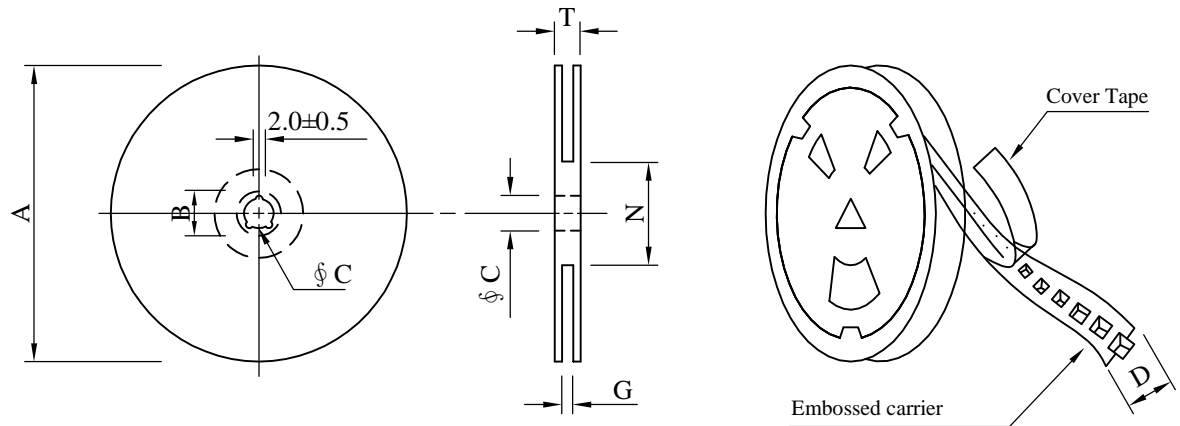
# SPECIFICATION FOR APPROVAL

REF. :

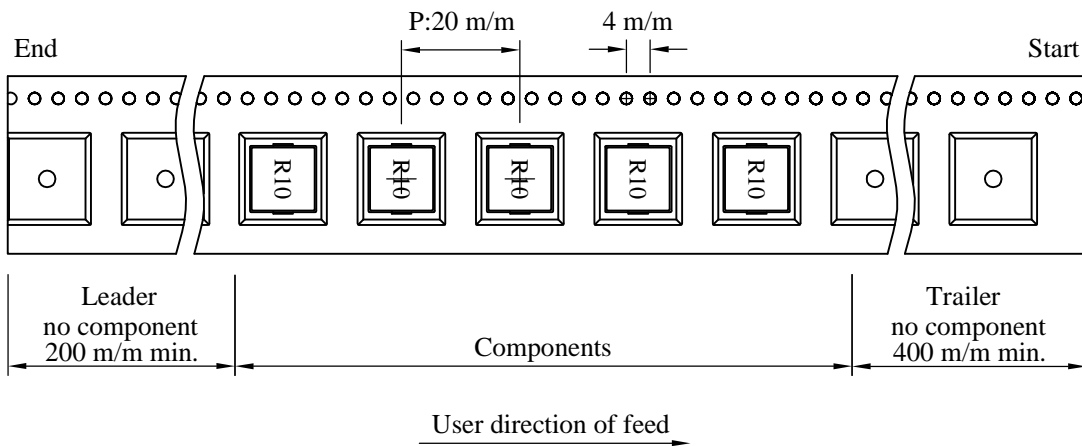
PROD. NAME	Shielded SMD Power Inductor	ABC'S DWG NO.	HE1265□□□□S□-□□□		
		REV.	20171115-A	PAGE	3

V . Packaging information :

( 1 ) Configuration



※Carrier tape width : D



( 2 ) Dimensions

Unit:m/m

Style	A	B	C	D	G	N	T
13 - 24	330	21±0.8	13±0.5	24	26 <sup>+0</sup>	60 <sup>-0</sup>	30.4

( 3 ) Q'TY & G.W. Per package

Code	Inner : Reel			Outer : Carton		
	QTY (pcs)	G.W. (g)	Style	QTY (pcs)	G.W. (Kg)	Size (cm)
B	400	2,700	13 - 24	1,600	12.50	38 x 37 x 22

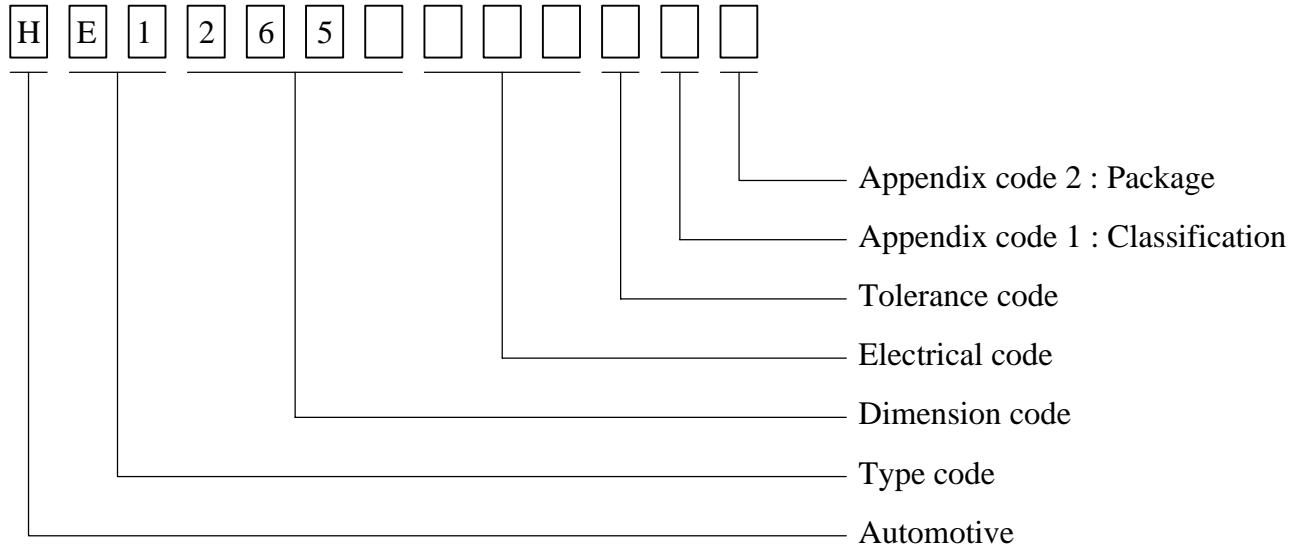
AR-001C

# SPECIFICATION FOR APPROVAL

REF. :

PROD. NAME	Shielded SMD Power Inductor	ABC'S DWG NO.	HE1265□□□□S□-□□□		
		REV.	20171115-A	PAGE	4

VI . Drawing number expression :



Appendix code 1 : Product Classification

Appendix code 2 : Package Information

Code	Inner package	Cover tape	Carrier tape	Bag	Package Q'TY	Remark
B	T/R (Reel package)	Adhesive	Non-antistatic	Non-antistatic	400 pcs	

# SPECIFICATION FOR APPROVAL

REF. :

PROD. NAME	Shielded SMD Power Inductor	ABC'S DWG NO.	HE1265□□□□S□-□□□		
		REV.	20171115-A	PAGE	5

## VII . Reliability test :

Item	Reference documents	Test Condition	Test Specification
1.High Temperature Exposure	MIL-STD-202 Method 108	1.Temperature: 125±2℃ 2.Time:96±2 hours.	1.No mechanical or electrical damage. 2.Inductance shall not change more than ±20%.
2.Temperature Cycling	JESD22-A 104	1.Temperature: -40℃ ~ +125℃ 2.Number of cycle:100 cycle 3.Dwell time:30 minutes	1.No mechanical or electrical damage. 2.Inductance shall not change more than ±20%.
3.Biased Humidity Test	MIL-STD-202 Method 103	1.Temperature : 85±2 ℃ 2.Humidity: 85% RH. 3.Time:96±2 Hours	1.No mechanical or electrical damage. 2.Inductance shall not change more than ±20%.
4.Operational Life	JESD22-A 108	1.Temperature: 125℃ (Temp. rise included) 2.Time:96±2 hours. 3.Rated current	1.No mechanical or electrical damage. 2.Inductance shall not change more than ±20%.
5.External Visual	JESD22-B 101 & MIL-STD-883 Method 2009	Inspect product constructions, marking and workmanship.	1.No pollution on the surface of products. 2.Clear marking. 3.No crack.
6.Physical Dimensions	JESD22-B 100	Verify physical dimensions to the applicable product detail specification.	Per product specification standard
7.Resistance to solvents	MIL-STD-202 Method 215	Immerse into solvent for 3±0.5 minutes & brush 10 times for 3 cycles.	1.No body change in appearance. 2.No marking blurred. 3.Inductance shall not change more than ±20%.
8.Vibration Test	MIL-STD-202 Method 204	1.Frequency and Amplitud : 10-2000-10 Hz, 1.5 mm. 2.Direction:X, Y, Z 3.Test duration:2 hours for each direction, 6 hours in total.	1.No mechanical or electrical damage. 2.Inductance shall not change more than ±20%.
9.Resistance To Soldering Heat Test	MIL-STD-202 Method 210 & J-STD020D.1	1.Highest temperature : 245±5℃. 2.Time ( temp. ≥ 217℃ ) : 60~150 Second. 3.IR reflow times : 3 times.	1.No mechanical or electrical damage. 2.Inductance shall not change more than ±20%.
10.Saturation Current	JIS C 6436 & User SPEC.	1.Applied rated current for 5 second. 2.Saturation current	Inductance shall not drop more than 30% typ.
11.Over load	JIS C 6436 & User SPEC.	1.Applied one and half rated current for a period of 5 minutes. 2.Rated current	No electrical or mechanical damage
12.Temperature Rise Current	JIS C 6436 & User SPEC.	1.Applied rated current for 10 minutes. 2.Temperature measure by digital surface thermometer. 3.Irms current	Surface temperature rise is less than 40℃ typ.
13.Solderability Test	J-STD-002 & JESD22-B 102	1.Baking in pre-testing : 150±5℃ / 16Hours±30 min. 2.Peak temperature : 240±5℃ 3.Time ( temp. ≥ 217℃ ) : 60~150 second. 4.IR reflow times : 1 times.	More than 95% soldering coverage min on terminations.
14.Electrical Characteriazation	MIL-STD-202 Method 304 & User SPEC.	1.Operating temperature : -55℃~125℃ 2.Room temperature : 25℃.	1.No mechanical or electrical damage. 2.Inductance shall not change more than ±20%.
15.Drop	CNS-C6354 & GB/T 2423.8	1.Products shall be mounted on SPEC. PCB and dropped down from a height of 1m 2.Drop total time : 6 time (Every side of sample drop 2 time)	1. Adhesion on PCB shall be enough. 2. Product appearance shall not break. 3. No electrical damage.
16.Terminal Strength Test	IEC 60068-2-21	1.Apply push force to samples mounted on PCB. 2.Force of 1.8 kg for 60±1 seconds.	After test, inductors shall be no mechanical damage.

AR-001C

# SPECIFICATION FOR APPROVAL

REF. :

PROD. NAME	Shielded SMD Power Inductor	ABC'S DWG NO.	HE1265□□□□S□-□□□		
		REV.	20171115-A	PAGE	6

VIII . Change history :

DATE/REV.	DISCRIPTION	DRAWN	CHECKED	APPROVED
20171115-A	Released	Colin	Leo	Nick

AR-001C