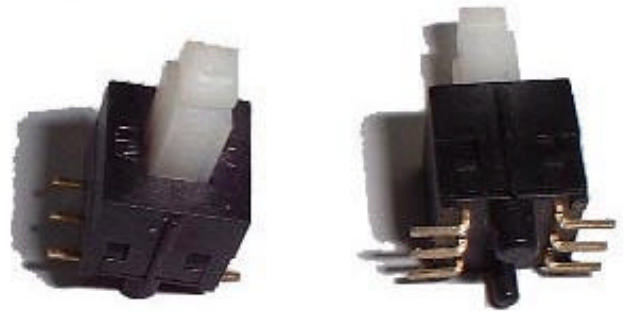


LTV-88 SMT Vertical Push Switch

Specifications

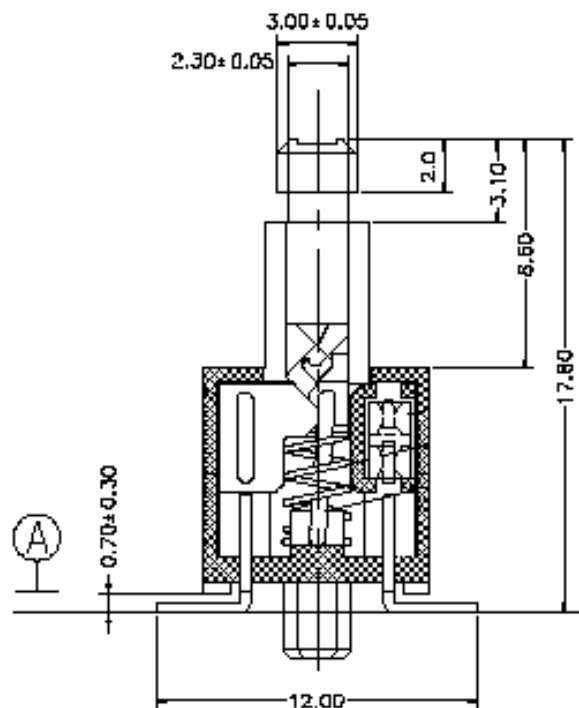
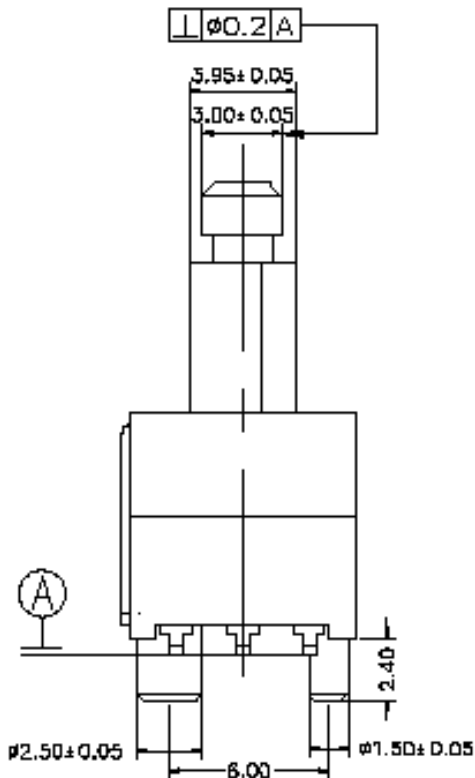
Ratings:	0.10A 30VDC	100,000 cycles
	1.00A 13VDC	20,000 cycles
Operating Temp:	-40°C ~ +85°C	
Contact Resistance:	50mΩ max. initial	
Insulation Resistance:	100 MΩ min.	
Dielectric Strength:	500VAC for 60 +/- 5 sec	
Housing:	UL 94V0	
Travel-to-lock	1.5mm (Total travel: 2.5mm)	
Timing:	Non-shorting	
Soldering:	Wave/Re-flow Soldering	
Operating Force:	240 +/- 50gf	
	350 +/-100gf	
	450 +/-100gf	



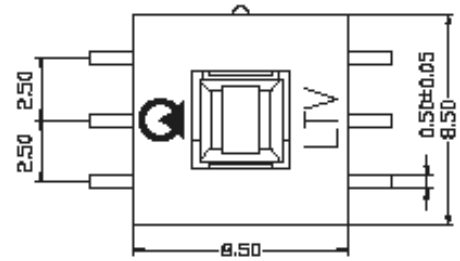
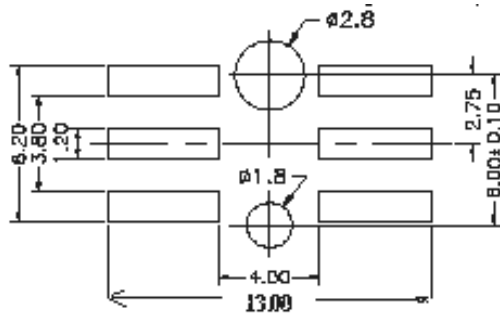
Ordering Qty: 1000pcs

Ordering Instruction

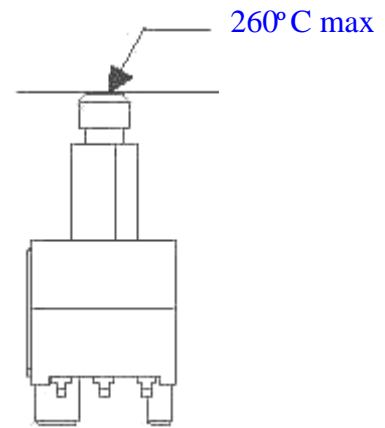
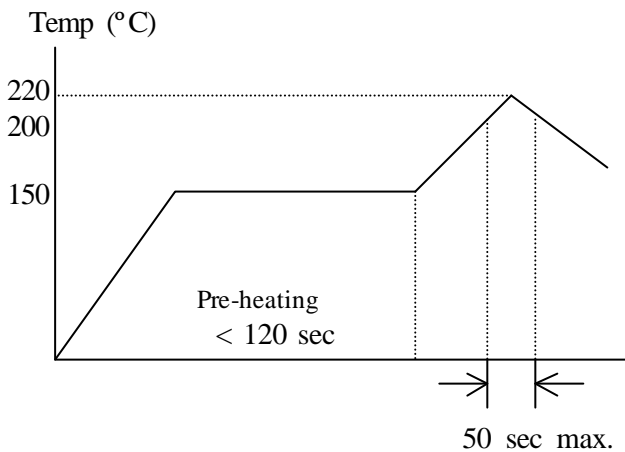
LTV-88	S	8.6	-	240	T1
	S = Self Lock N = Non-lock	<u>Actuator</u> Type 8.6		<u>Operating force</u> 240: 240 +/- 50gf 350: 350 +/-100gf 450: 450 +/-100gf	<u>Package</u> T1 = Tray Package xx = Custom-made package



Installations



Recommended Re-flow Soldering Profile



CAUTION!

1. The conditions mentioned above is the temperature on the PCB surface on which parts are mounted. As the switch actuator is high, there are cases where board's temperature greatly differs from switch's surface and plunger. Extremely care should be taken to prevent the switch surface and plunger (the highest point) temperature from exceeding 260° C.
2. The conditions vary depending on the kind of soldering equipment, please make sure you have the right one before mass production.

Standard Items

There is only one 8.6mm actuator type in mass production, please refer to the LTV-85 series for the other possible actuators which can be tooled up on demands for SMT version. Please contact Toneluck for details.

Part Number	Operation	Operating Force	Drawing Number
LTV-88S8.6 -240T1	Self Lock	240 +/- 50 gf	F115-0001
LTV-88S8.6 -350T1	Self Lock	350 +/- 100gf	F115-0002
LTV-88S8.6 -450T1	Self Lock	450 +/- 100gf	F115-0003
LTV-88N8.6 -240T1	Momentary	240 +/- 50 gf	F115-0004
LTV-88N8.6 -350T1	Momentary	350 +/- 100gf	F115-0005
LTV-88N8.6 -450T1	Momentary	450 +/- 100gf	F115-0006