

Precision chip attenuators (W type)

■ PAT series, W type

Features

- Single attenuating element realizes excellent attenuating characteristics
- Wide frequency range making it ideal to handle multiple frequency bands
- Terminal distribution (center signal terminal and ground terminal at both ends) are designed for easy connection.

Applications

- Wireless communication devices, wireless communication modules



◆ Part numbering system

PAT 4556 - C - 3dB - A - T(1)

Series code: PAT

Size, circuitry: 4556, PAT3042, PAT4556, PAT3060H

Impedance: C

Attenuation: 3dB

Attenuation tolerance: A

Attenuation: T(1)

T=Tape, B=Bulk (- indicates taping quantity. Refer to packaging in the table above.)

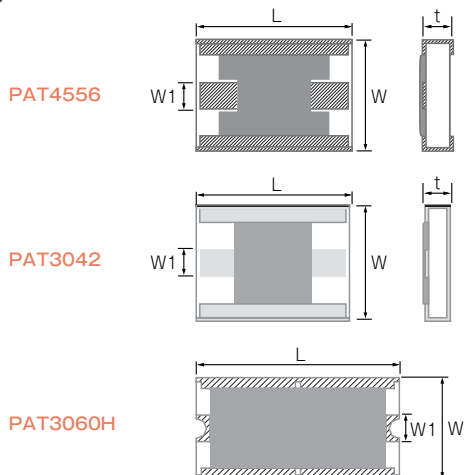
◆ Electrical Specification

Series name	PAT3042	PAT4556	PAT3060H
Attenuation	0-10,16,20dB		3.6dB
Attenuation tolerance	table 1 reference		±0.5dB
Impedance	50Ω(C)	50Ω(C)	50Ω(C)
V S W R	<1.1 (DC-2GHz) <1.2(2-5GHz), <1.3(5-10GHz)		<1.2
Operating frequency	DC ~ 10GHz		DC-6GHz
Rated power	250mW	500mW	5W
Rated operating temperature	70°C		
Operating temperature	-55°C~+125°C		
Packaging	1,000pcs/reel		1,000pcs/reel
	50pcs/bag		100pcs/bag

◆ Table 1 attenuation tolerance

attenuation tolerance			
Attenuation tolerance classes	DC~ 2GHz	2 ~ 5GHz	5 ~ 10GHz
0-10 dB(A)	±0.1dB	±0.2dB	±0.4dB
(B)	±0.2dB	±0.3dB	±0.5dB
16,20 dB(B)	±0.2dB	±0.3dB	±0.5dB

◆ Dimensions



Type	PAT3042		PAT4556		PAT3060H
Size(inch)	1612		2218		2412
L	4.2±0.2		5.6±0.2		6.0±0.2
W	3.0±0.2		4.5±0.2		3.0±0.2
t	0.8±0.15		0.8±0.15		0.7±0.15
W1	0dB, 1dB	0.66±0.1	0dB	0.64±0.1	0.80±0.15
	2 ~ 10dB	0.90±0.1	1 ~ 10dB	1.3±0.1	
	16 ~ 20dB	0.90±0.1	16 ~ 20dB	1.3±0.1	

(unit : mm)