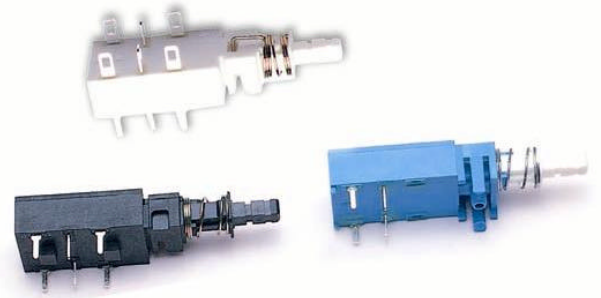


Specifications

| | |
|------------------------|--------------------------------|
| Rating: | 6A 125/250VAC, >10,000 cycles |
| Operating Temp: | -25°C ~ +85°C |
| Insulation Resistance: | 100 MΩ min. |
| Dielectric Strength: | 1500VAC for 60 +/- 5 sec |
| Housing: | UL 94V0 |
| Travel-to-lock | 3.0mm (Total travel: 4.5mm) |
| Proof Tracking Index: | PTI-250V |
| Moving Contacts: | Silver alloy |
| Safety approvals: | UL, cUL, VDE |
| Buttons: | BF / BC series caps |
| Operating Force: | 560 +/- 150gf 800 +/- 150gf |

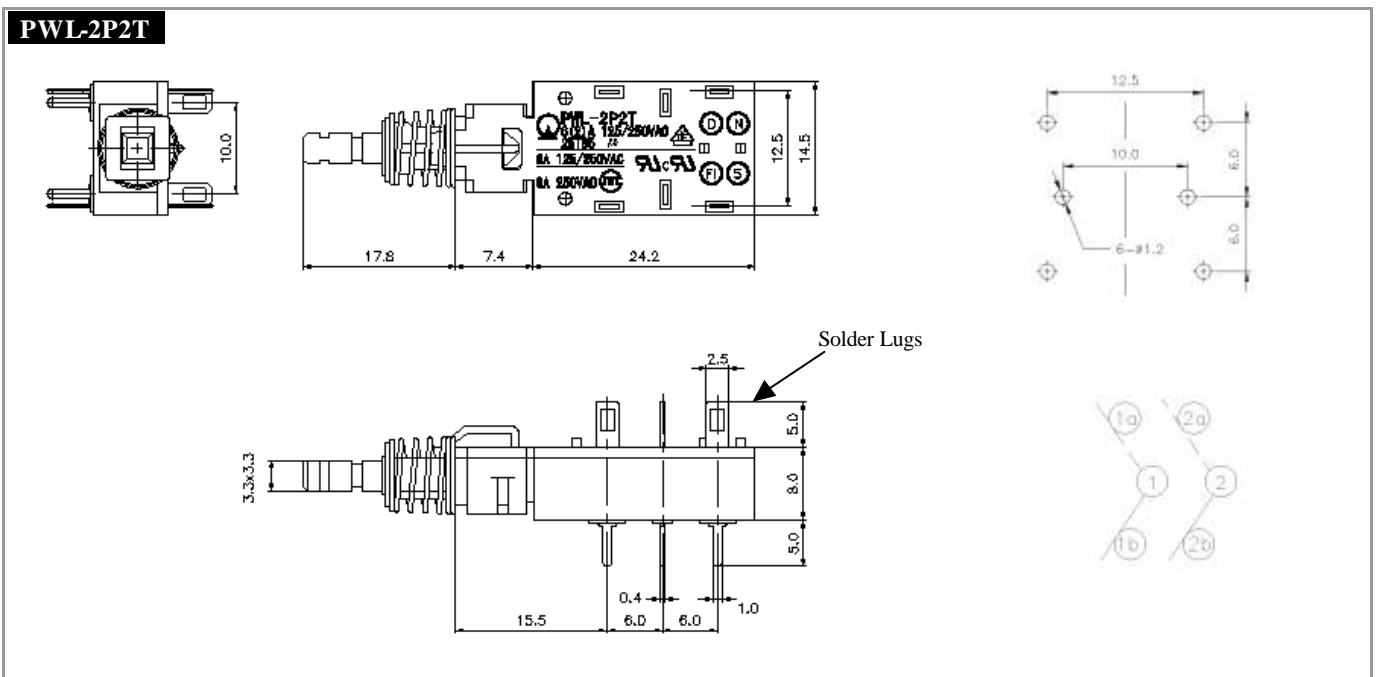


Ordering qty: 200pcs

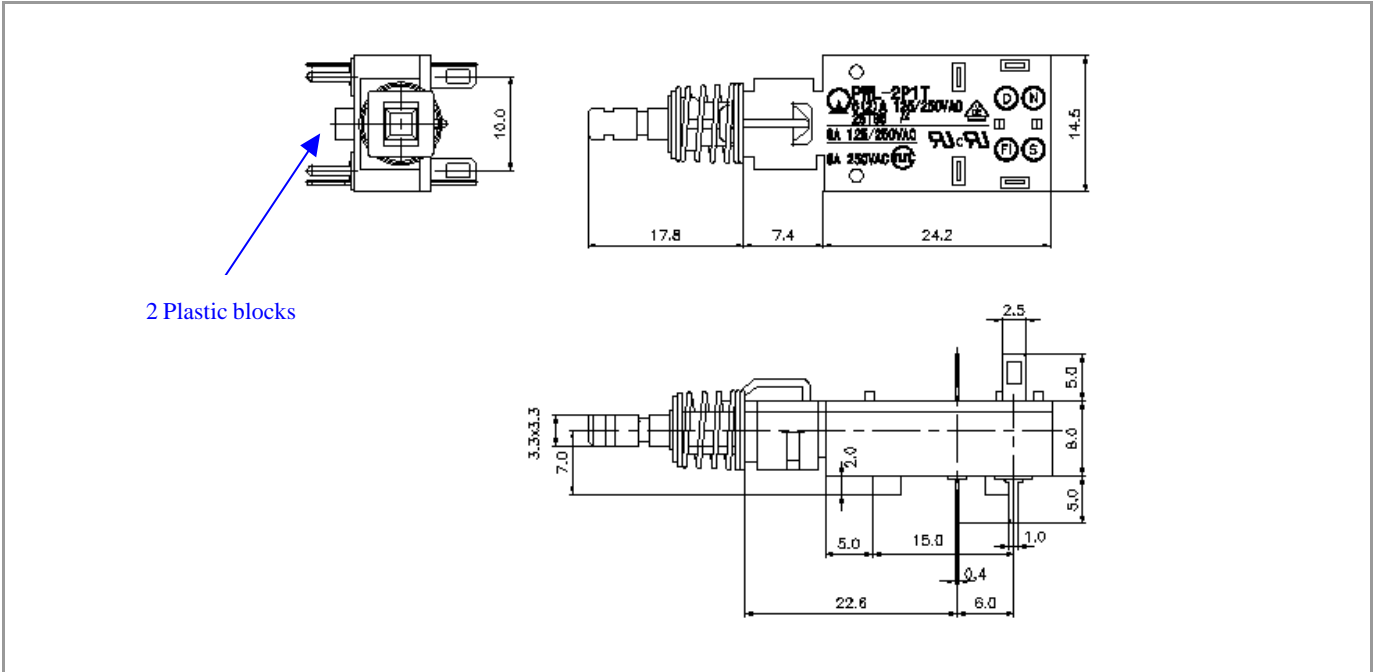
Ordering Single Switch

| PWL-2P2T | - | 6 S | A | S | T | A |
|---------------------------------------|---|--|--|-----------------------------|---|--|
| <u>PWL-2P2T</u> normal 2P2T | | <u>Function</u> S = Self Lock N = Non-lock | <u>Terminals</u> A= with PCB & solder lugs B= with PCB pins only C= with solder lugs only | <u>Housing</u> S,P, K, F | <u>Mounting Chassis</u> H = 2 x Ø3.2 mm T = 2 x (M3x 0.5 mm) Nil: No chassis | <u>Operating force</u> A: 560 +/- 150gf B: 800 +/- 150gf |
| <u>PWL-2P1TR</u> 2P1T normal close | | | | | | |
| <u>PWL-2P1TL</u> 2P1T normal open | | | | | | |

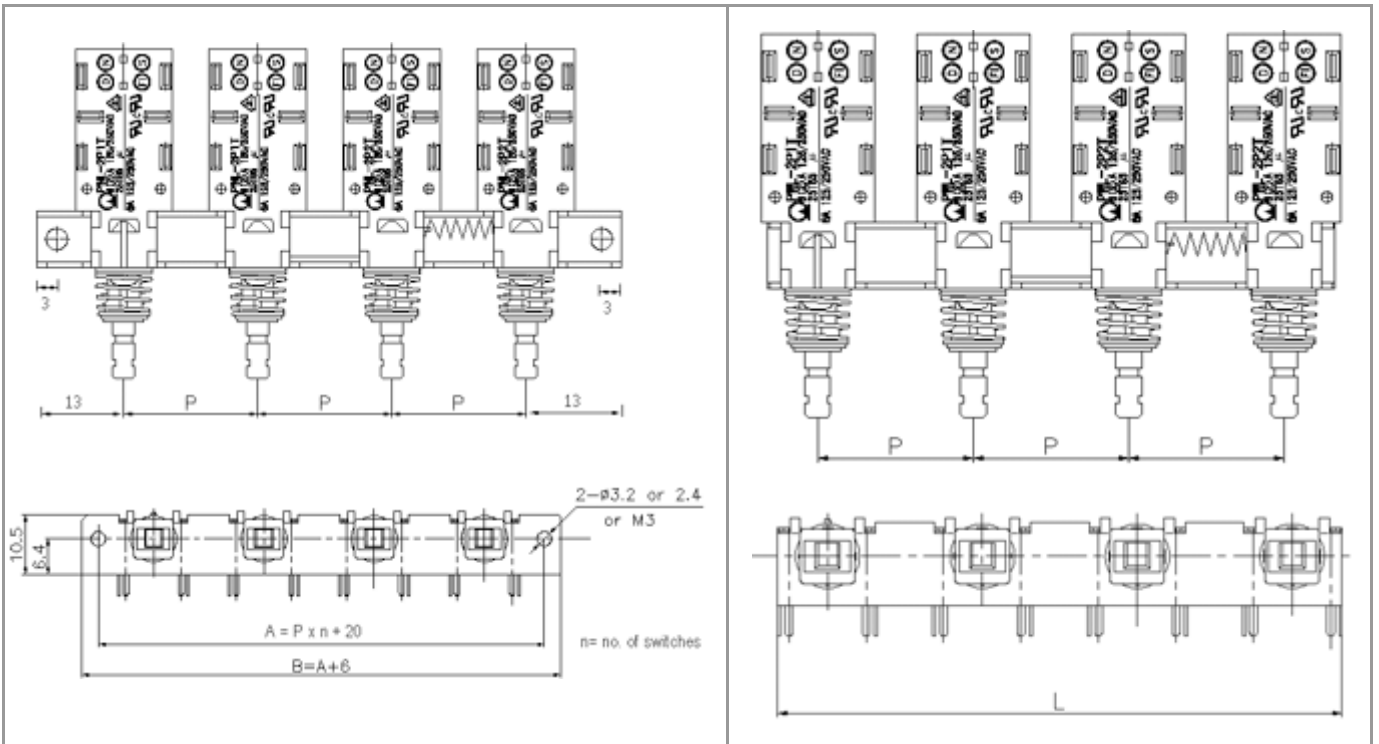
Dimension & Drawing






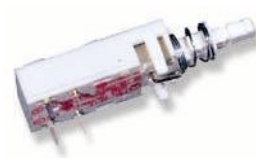
PWL-2P1TL (2P1T normal open)



Switch Assembly



Housing Types

| | | | |
|--|--|---|--|
| <p>Type S: standard type</p>  | <p>Type P: with 2 plastic supports</p>  | <p>Type K: with plastic legs</p>  | <p>Type F: pcb & latch pins in same side</p>  |
|--|--|---|--|

(Only 800gf type is available for K & F type housings)

Ordering Switch Assembly

For Gang Switch (Switch assembly) ordering, please refer to Appendix A in this catalogue.

Standard Items

| Part Number | Rating | Circuitry | Op. force | Terminals | Chassis | PTI | Drawing No. |
|------------------|--------|-----------|---------------|------------------|----------|------|-------------|
| PWL-2P2T-6SBPA | 6A | 2P2T | 560 +/- 150gf | PCB | - | 250V | F031-0040 |
| PWL-2P2T-6SBPTA | 6A | 2P2T | 560 +/- 150gf | PCB | M3x0.5mm | 250V | F031-0050 |
| PWL-2P2T-6SAPA | 6A | 2P2T | 560 +/- 150gf | PCB + solder lug | - | 250V | F031-0042 |
| PWL-2P2T-6SAPTA | 6A | 2P2T | 560 +/- 150gf | PCB + solder lug | M3x0.5mm | 250V | F031-0052 |
| | | | | | | | |
| PWL-2P2T-6SBPB | 6A | 2P2T | 800 +/- 150gf | PCB | - | 250V | F031-0055 |
| PWL-2P2T-6SBPTB | 6A | 2P2T | 800 +/- 150gf | PCB | M3x0.5mm | 250V | F031-0056 |
| PWL-2P2T-6SBKB | 6A | 2P2T | 800 +/- 150gf | PCB | PCB Legs | 250V | F031-0054 |
| PWL-2P2T-6SAPB | 6A | 2P2T | 800 +/- 150gf | PCB + solder lug | - | 250V | F031-0057 |
| PWL-2P2T-6SAPTB | 6A | 2P2T | 800 +/- 150gf | PCB + solder lug | M3x0.5mm | 250V | F031-0058 |
| | | | | | | | |
| PWL-2P1TL-6SBPA | 6A | 2P1T | 560 +/- 150gf | PCB | - | 250V | F034-0040 |
| PWL-2P1TL-6SBPTA | 6A | 2P1T | 560 +/- 150gf | PCB | M3x0.5mm | 250V | F034-0059 |
| PWL-2P1TL-6SAPA | 6A | 2P1T | 560 +/- 150gf | PCB + solder lug | - | 250V | F034-0055 |
| PWL-2P1TL-6SAPTA | 6A | 2P1T | 560 +/- 150gf | PCB + solder lug | M3x0.5mm | 250V | F034-0062 |
| | | | | | | | |
| PWL-2P1TL-6SBPB | 6A | 2P1T | 800 +/- 150gf | PCB | - | 250V | F034-0064 |
| PWL-2P1TL-6SBPTB | 6A | 2P1T | 800 +/- 150gf | PCB | M3x0.5mm | 250V | F034-0065 |
| PWL-2P1TL-6SBKB | 6A | 2P1T | 800 +/- 150gf | PCB | PCB Legs | 250V | F034-0063 |
| PWL-2P1TL-6SAPB | 6A | 2P1T | 800 +/- 150gf | PCB + solder lug | - | 250V | F034-0066 |
| PWL-2P1TL-6SAPTB | 6A | 2P1T | 800 +/- 150gf | PCB + solder lug | M3x0.5mm | 250V | F034-0067 |

Appendix - A

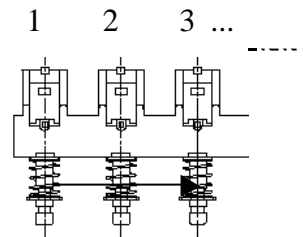
Switch Assembly Ordering Form

| | |
|--------------------|-------------------------|
| Customer: _____ | Toneluck Salesman _____ |
| Purchaser: _____ | Date: _____ |
| Project Ref: _____ | Your Email: _____ |
| Sales Rep.: _____ | Est. Monthly Qty: _____ |

Format:

PBN - **5** - **17.5** **H** - **xxxx**

| | | | |
|-----|-----------------|------------|-----------------------------------|
| PBA | No. of switches | Pitch (mm) | <u>Mounting Chassis</u> |
| PBN | | 10.0 | H = Mounting holes is 2 x Ø3.2 mm |
| MPN | | 12.5 | T = M3 Screw, 2 x (M3x 0.5 mm) |
| PWL | | 15.0 | C = Mounting chassis ear cut |
| | | 17.5 | |
| | | 20.0 | |
| | | 25.0 | XXXX : Assigned by Toneluck |



| Key No. | Switch Part Number | Function (select one only by 'x') | | | | Pitch (p) | Button P/N |
|---------|--------------------|-----------------------------------|----------|------------|-------|-----------|------------|
| | | Self Lock | Non-lock | Inter-lock | Reset | | |
| 1 | | | | | | | |
| 2 | | | | | | | |
| 3 | | | | | | | |
| 4 | | | | | | | |
| 5 | | | | | | | |
| 6 | | | | | | | |
| 7 | | | | | | | |
| 8 | | | | | | | |

Remarks: _____

To be filled by Toneluck:

| | |
|----------------|---------------------------|
| Part-number: | [] - [] - [] [] - [] |
| Price: | Lead-time : |
| Revision Date: | Validity: 180 days |
| Remarks: | |
| | |