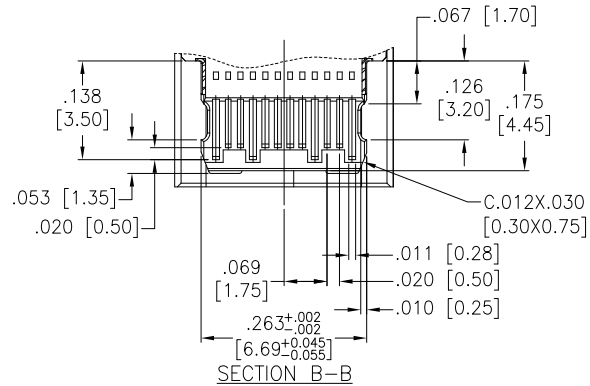
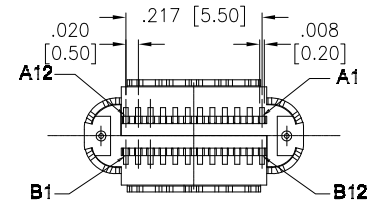
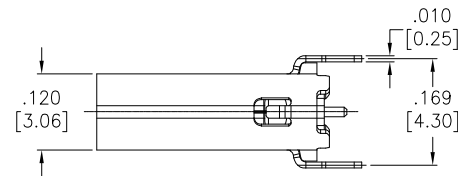
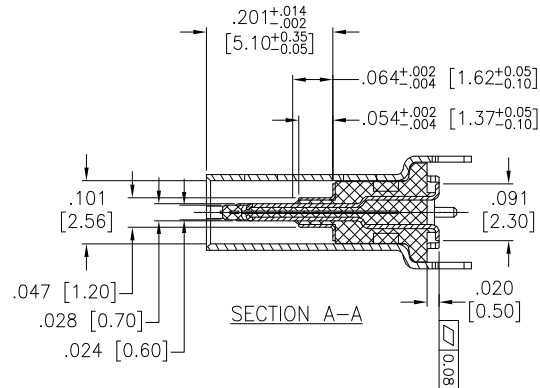
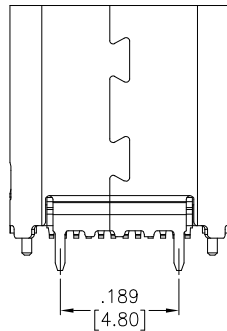
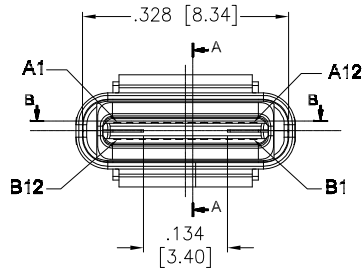
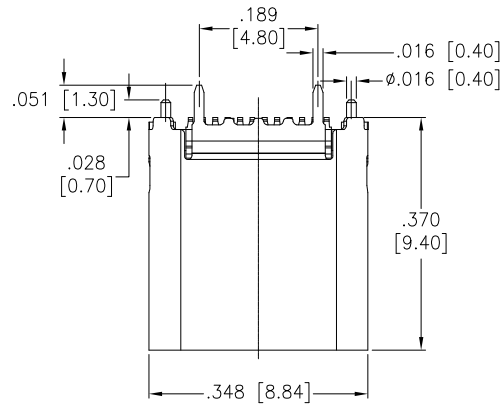
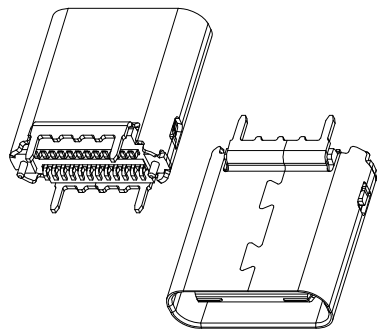


APPROVED: _____
 DATE: _____ TITLE: _____

Rev	AWO #	Description	Date	Appr
-		PRELIMINARY	9/25/15	
A		RELEASED	10/7/15	AY/TW



SPECIFICATIONS:
 Material:
 Insulator: Hi-Temp Thermoplastic, rated UL 94V-0
 Insulator color: Black
 Contacts: Copper Alloy
 Shell: Stainless Steel, Nickel plated
 Plating:
 Gold flash over Nickel underplate on contact area,
 Tin over Nickel underplate on solder tails.
 Electrical:
 Current rating: 5 A min for Vbus
 1.25 A min for Vconn Pin
 Contact resistance: 40 mohms max
 Insulation resistance: 100 Mohms min.
 Dielectric withstanding: 100 VR.M.S
 Mechanical:
 Insertion force: 5~20N
 Withdrawal force: 8~20N
 Temperature Rating:
 Operating temperature: -40°C to +85°C
 Environmental:
 Lead free, RoHS compliant.



UNLESS OTHERWISE SPECIFIED ALL DIMENSIONS ARE INCHES [MM] TOLERANCES: EXCEPT AS NOTED		ADAM TECH 909 Rahway Avenue, Union, NJ 07083 Phone: 908-687-5000 Fax: 908-687-5710	
INCHES HOLES			
.X ± .10	Ø.X ± .10	TITLE UNIVERSAL SERIAL BUS, TYPE C 3.1, FEMALE, VERTICAL, BLACK INSULATOR	
.XX ± .020	Ø.XX ± .015		
.XXX ± .015	Ø.XXX ± .010	REV. A	
APPROVALS		DATE	REF: S00242T
DRAWN AY		9/25/15	SCALE: NTS
CHECKED TW		9/25/15	SHEET 1 OF 2
APPROVED			

6

5

4

3

2

1

D

D

C

C

B

B

A

A

6

5

4

3

2

1